

**DAVID CHIPPERFIELD
CLAESSON KOIVISTO RUNE
SAM HECHT AND KIM COLIN
ILSE CRAWFORD
JOHN PAWSON
INGA SEMPÉ
THAMVIDEGÅRD
DIRK WINKEL
FOSTER + PARTNERS
INDUSTRIAL DESIGN**



WE CREATE WELL-BEING THROUGH GOOD LIGHT. WORKING CLOSELY WITH LEADING ARCHITECTS AND DESIGNERS, WE DEVELOP HOLISTIC LIGHTING FOR HUMANS AND SPACES – LIGHT THAT IS FUNCTIONAL, EMOTIONAL, SUSTAINABLE, AND AFFORDABLE.

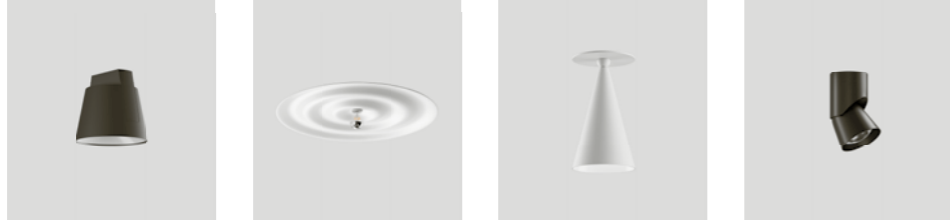
Wastberg+ merges the emotional legacy of Swedish lighting pioneer Wästberg with the technical lighting expertise of XAL Group – opening up new ways of designing, developing, and experiencing light.

Drawing on the culture of a family-run company, the resources of a global group, and our close circle of leading architects and designers, W+ creates lighting that is functional, emotional, sustainable, and affordable – our definition of good light.

Based in Malmö, Sweden, our products can be found in offices, hotels, homes, and museum collections worldwide, earning us international acclaim and over 60 prestigious awards for design excellence.

DAVID CHIPPERFIELD 07
CLAESSON KOIVISTO RUNE 51
SAM HECHT AND KIM COLIN 79
ILSE CRAWFORD 103
JOHN PAWSON 115
INGA SEMPÉ 135
THAMVIDEGÅRD 157
DIRK WINKEL 177
FOSTER + PARTNERS
INDUSTRIAL DESIGN 233

CEILING

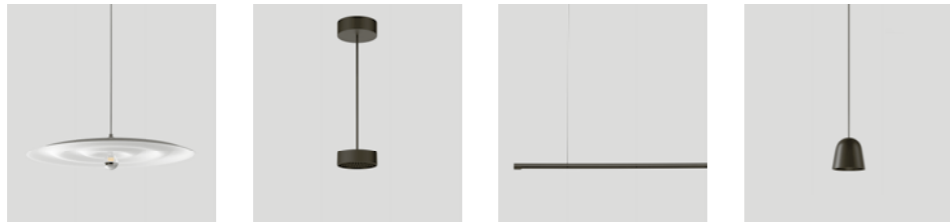


Focal W222 29 Alma W171 159 Babel W264 169 Cast W261 235

SUSPENDED

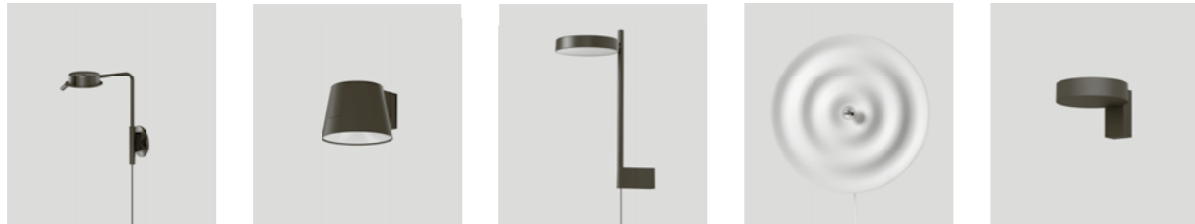


Focal W222 29 Halo W202 41 Bell W131 53 Cone W151 63 Dalston W162 81

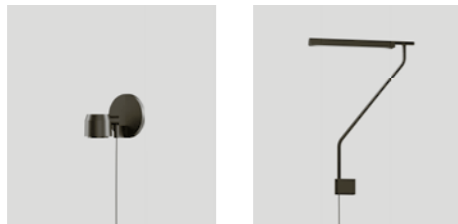


Alma W171 159 Alto W164 179 Linier W181 211 Cast W261 235

WALL



Chipperfield W102 9 Focal W222 29 Pastille W242 91 Alma W171 159 Alto W164 179



Ion W225 199 V W263 253

TABLE



Chipperfield W102 9 Faro W241 19 Pastille W242 91 Ilumina W203 105 Lightbox W262 117



Pawson W223 125 Île W153 137 Lampyre W163 147 Ion W225 199 Winkel W227 223

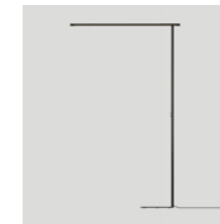


V W263 253

FLOOR



Chipperfield W102 9 Pastille W242 91 Lightbox W262 117 Alto W164 179 Ion W225 199



Linier W181 211

ACCESSORIES



Accessories 266



DAVID CHIPPERFIELD

Since founding his design practice in 1985, David Chipperfield has established offices in London, Berlin, Milan, Shanghai, and Santiago de Compostela. In addition to his design work, he has taught and lectured worldwide, and in 2012 he curated the 13th International Architecture Exhibition of the Venice Biennale under the title Common Ground. His work has received numerous awards and distinctions, including the Pritzker Architecture Prize (2023), the RIBA Royal Gold Medal, the Praemium Imperiale, the Mies van der Rohe Award and he was awarded a Knighthood for services to architecture.

DESIGNS FOR W+

Chipperfield (9)
Faro (19)
Focal (29)
Halo (41)

CHIPPERFIELD

REVISITING THE CLASSIC DESK LAMP

Familiar in form yet artfully refined in every detail, Chipperfield reduces the classic personal desk lamp to its absolute essentials. Thoughtfully crafted for intuitive ease of use, it offers a quiet sense of balance designed to be lived with over time.

VERSIONS

TABLE
WALL
FLOOR

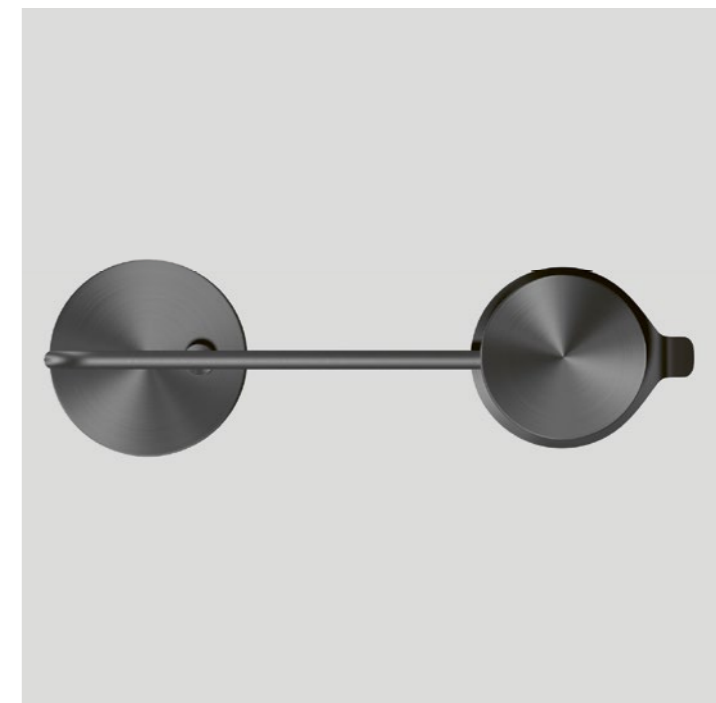
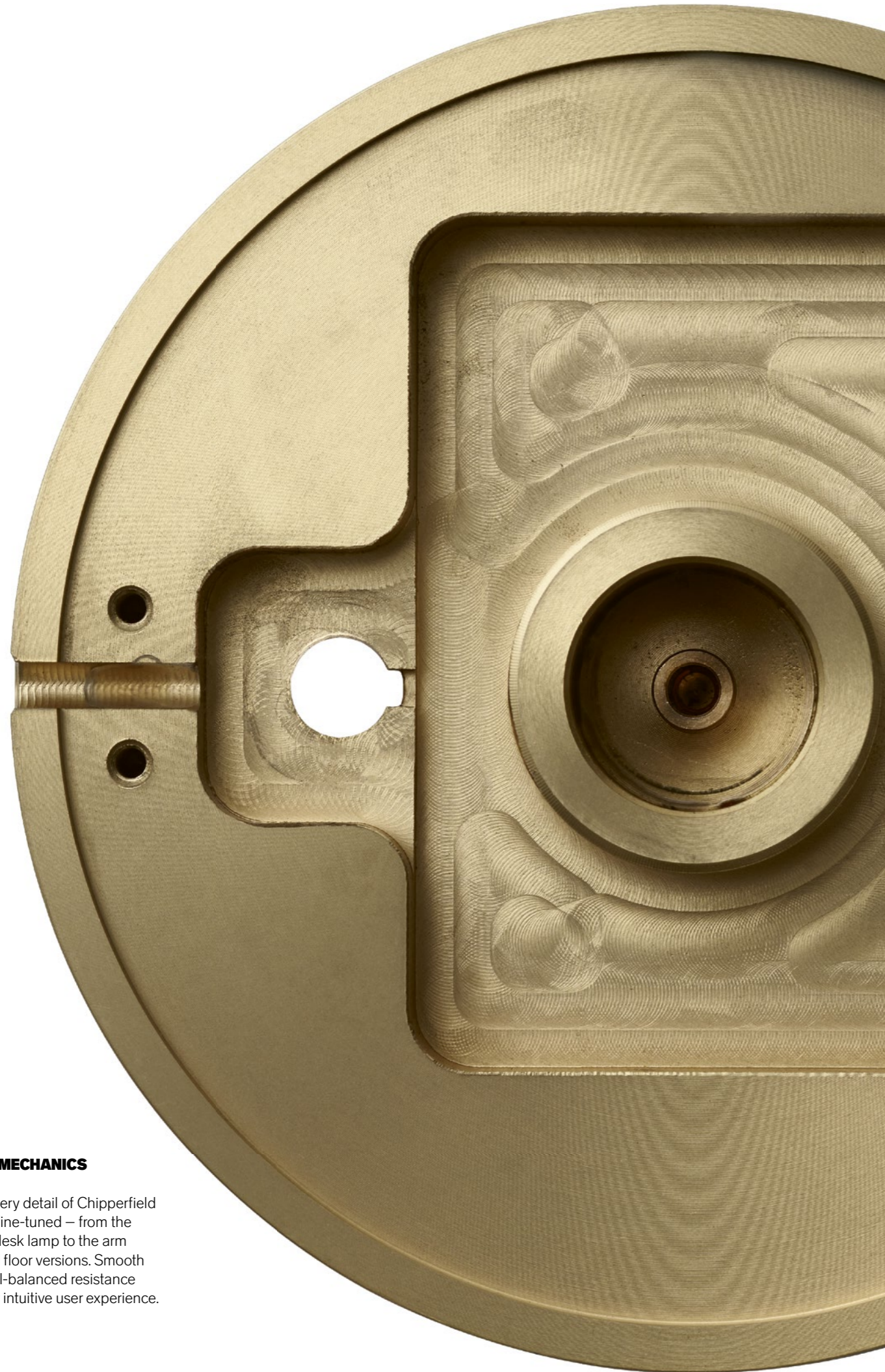


TABLE
W102T









FEATURES

SOPHISTICATED MECHANICS
CLASSIC, SOLID MATERIALS
AN EXTENDED FAMILY

SOPHISTICATED MECHANICS

Like a fine clock, every detail of Chipperfield has been carefully fine-tuned – from the swivel base of the desk lamp to the arm joint of the wall and floor versions. Smooth mechanics and well-balanced resistance create an enjoyably intuitive user experience.



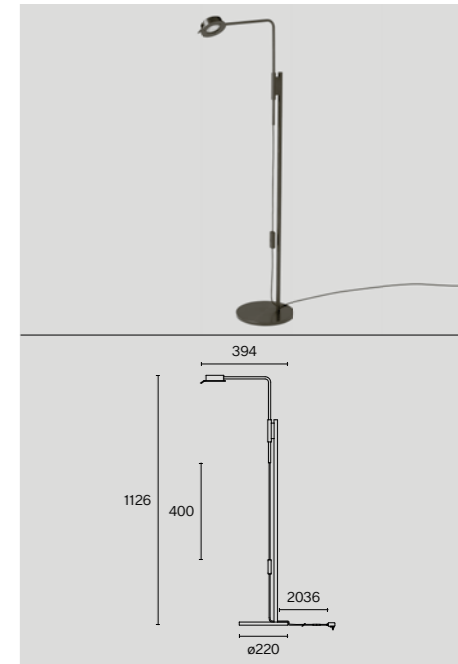
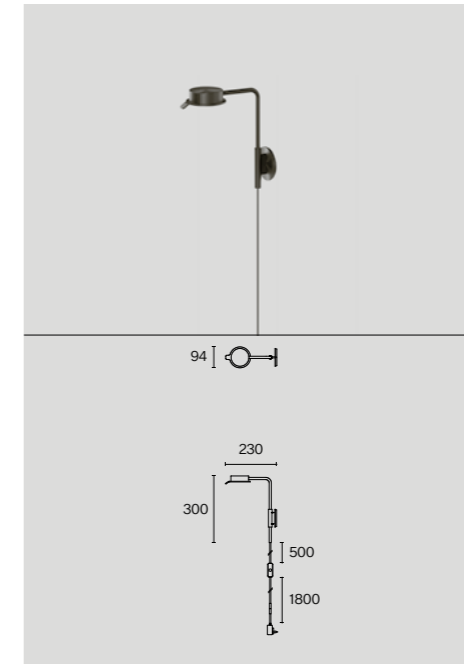
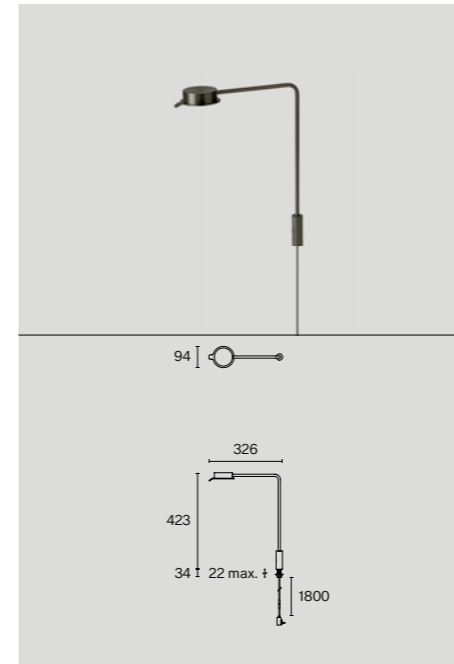
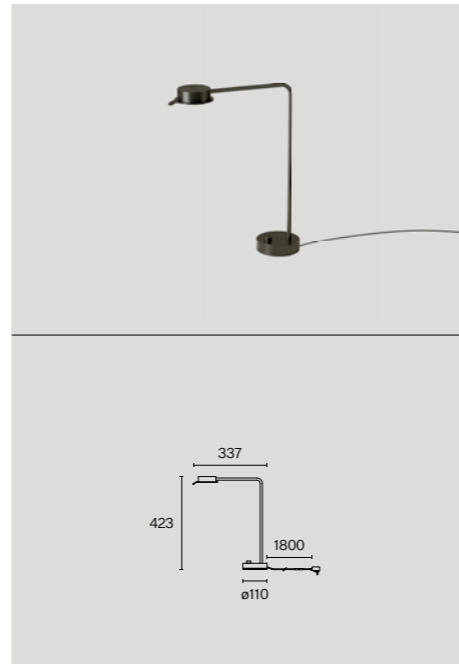
CLASSIC, SOLID MATERIALS

Chipperfield is available in a choice of solid brass, stainless steel, and darkened steel, each crafted with high precision and special attention to the brushed finish.



AN EXTENDED FAMILY

The collection includes desk, wall, floor, and surface-mounted pin versions. Whether used on their own to light an individual space or as a combined solution for a larger room, each interpretation of Chipperfield allows for flexible, easily adjusted lighting across different needs and settings.

**TECHNICAL INFORMATION**

Material	Lamp Body: Brass / Dark steel / Stainless steel
IP Rating	IP20
Protection Class	Class II

Light Source	COB LED
LED Lifetime	L80 / 50000 h
Colour Rendering Index	CRI ≥ 97
SDCM	3-step MacAdam
Replaceable light source by a professional	

More technical information online
wastberg.com/chipperfield

**ARTICLE SPECIFIC INFORMATION**

Version	
Colour Temperature / Luminous Flux	
Voltage / Power	
Control	
Weight	

DALI Push dim

Brass	●
Dark steel	●

Dimmer switch on cord

Brass	●
Dark steel	●
Brass / Dark steel	●

Integrated dimmer switch

Brass	●
Dark steel	●
Stainless steel	●

**CHIPPERFIELD
TABLE
W102T**

Table / Standing	
2700 K / 465 lm	
100–240 V / 7.3 W	
Integrated dimmer switch	
2.3 kg	

Art.No. / EAN Code**Art.No. / EAN Code****Art.No. / EAN Code**

102T100EU / 7330492005003
102T105EU / 7330492008448
102T120EU / 7330492016627

**CHIPPERFIELD
PIN
W102P**

Table / Pin	
2700 K / 465 lm	
100–240 V / 7.3 W	
Integrated dimmer switch	
0.9 kg	

Art.No. / EAN Code**Art.No. / EAN Code****Art.No. / EAN Code**

102P100EU / 7330492008455
102P105EU / 7330492008462

**CHIPPERFIELD
WALL
W102W2**

Wall / Surface	
2700 K / 465 lm	
100–240 V / 7.3 W	
DALI Push dim / Dimmer switch on cord	
0.8 kg	

Art.No. / EAN Code

102W2002 / 7330492016696
102W2052 / 7330492016689

Art.No. / EAN Code

102W2003EU / 7330492016672
102W2053EU / 7330492016658

Art.No. / EAN Code

**CHIPPERFIELD
FLOOR
W102F**

Floor / Standing	
2700 K / 465 lm	
100–240 V / 7.3 W	
Dimmer switch on cord	
6.2 kg	

Art.No. / EAN Code**Art.No. / EAN Code**

102F105EU / 7330492008509
102F005EU / 7330492008493

Art.No. / EAN Code

FARO

TABLE
W241



A PORTABLE BEACON

On the one hand, Faro is a welcoming beacon, with a gentle, sweeping glow and friendly, balanced proportions. On the other, it is a technically advanced hybrid lamp, pairing high-quality light with smooth, compact portability.

VERSION

TABLE







**SEAMLESS DIMMING**

The top disc doubles as a dimming wheel and switch, allowing for a seamless transition from bright illumination to a quieter, more intimate glow.

FEATURES

SEAMLESS DIMMING
GROUP PAIRING FUNCTION
REPLACEABLE BATTERY PACK
INDOORS, OUTDOORS, ANYWHERE
LOW-SWEEPING GLOW

**GROUP PAIRING FUNCTION**

The Faro remote control (optional accessory) can be used to control up to 25 lamps – switching them on or off, setting them at pre-selected light levels, or seamlessly dimming them up or down.

REPLACEABLE BATTERY PACK

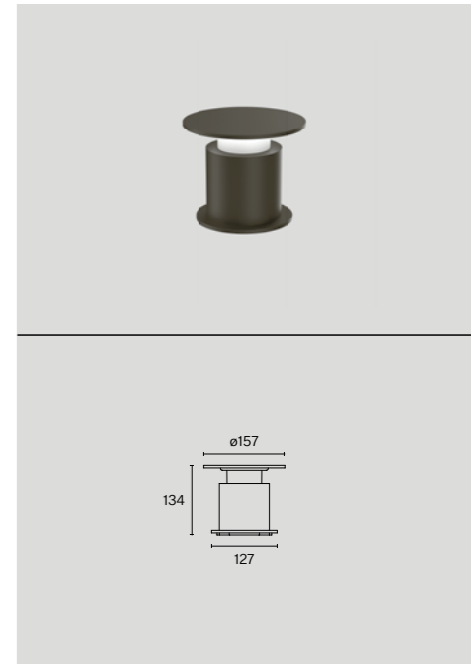
The high-performance battery pack is carefully selected to meet our strict criteria for quality, charging cycles, lifespan, and environmental considerations. It can be easily replaced via a hatch on the bottom of the luminaire.

INDOORS, OUTDOORS, ANYWHERE

Faro moves fluidly between settings – from a dining table to an outdoor terrace – with impressive hybrid performance, both with and without a power cord. Its IP54 rating means it is dust- and water-resistant, enabling temporary outdoor use. Charging is efficient and discreet, with no compromise on aesthetics or function.

**LOW-SWEEPING GLOW**

Despite its low, unassuming dimensions, Faro's custom-developed optics deliver a generous sweep of even, comfortable light in any setting.



TECHNICAL INFORMATION

Material	Lamp Body: Aluminium
IP Rating	IP54
Protection Class	Class III

Light Source	PCBA LED
LED Lifetime	L80 / 50000 h
Colour Rendering Index	CRI ≥ 90
SDCM	3-step MacAdam
Replaceable light source by a professional	

Accessories	p. 266
--------------------	--------

More technical information online
wastberg.com/faro



ARTICLE SPECIFIC INFORMATION

Version	
Colour Temperature / Luminous Flux	2700 K / 237 lm
Voltage / Power	5 V / 3.5 W
Control	Integrated rotary dimmer
Weight	1.1 kg

Colours/Finish

Black grey	●
Raw aluminium	●
Grey white	●
Chocolate brown	●
Pure red	●
Traffic green	●

FARO TABLE W241

Table / Standing	Table / Standing
2700 K / 237 lm	2700 K / 237 lm
5 V / 3.5 W	5 V / 3.5 W
Integrated rotary dimmer	Integrated rotary dimmer
1.1 kg	1.1 kg

Art.No. / EAN Code

241T10427 / 7330492001784	●
241T12027 / 7330492001791	●
241T10227 / 7330492001746	●
241T10727 / 7330492001777	●
241T10327 / 7330492001753	●
241T10127 / 7330492001760	●

FOCAL

WALL
W222W

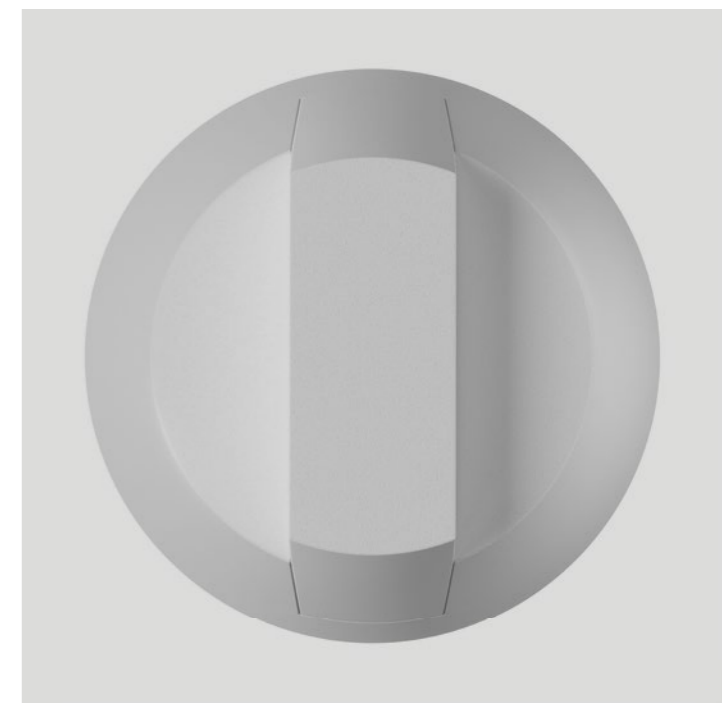


FOCUS, REFINED

Built on a clever merge of circle and square, Focal highlights its surroundings while enriching them with a design that is both subtle and intriguing. Its versatility and simple installation allow it to effortlessly adapt to a wide range of spaces and aesthetics.

VERSIONS

CEILING
WALL
PENDANT









**FOCUSED LIGHT**

Focal delivers clearly defined, focused light that highlights what matters. Specially developed optics create a crisp, rich light quality that provides clarity and emphasis without distraction.

FEATURES

FOCUSED LIGHT
VERSATILE BY DESIGN
CLICK INTO PLACE
WARM REFINEMENT

**VERSATILE BY DESIGN**

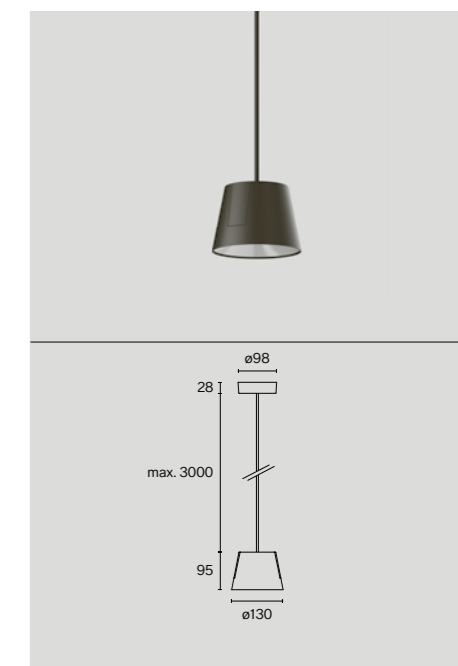
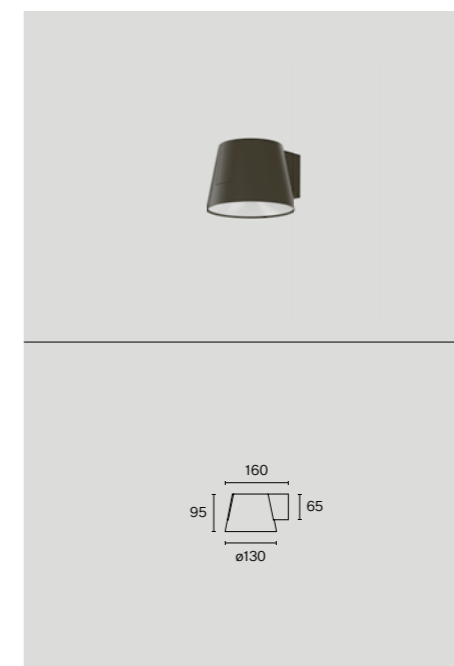
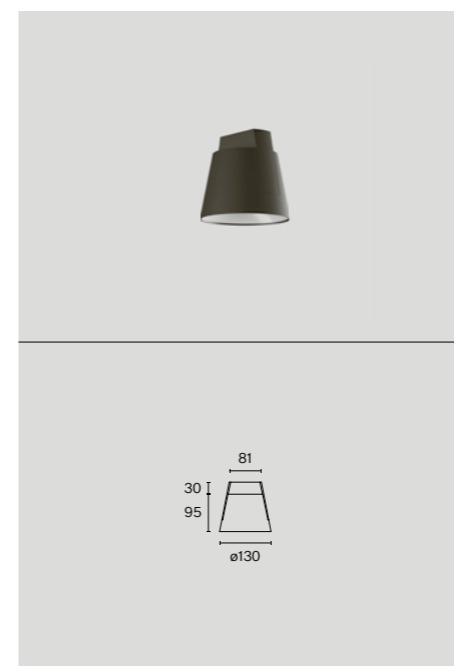
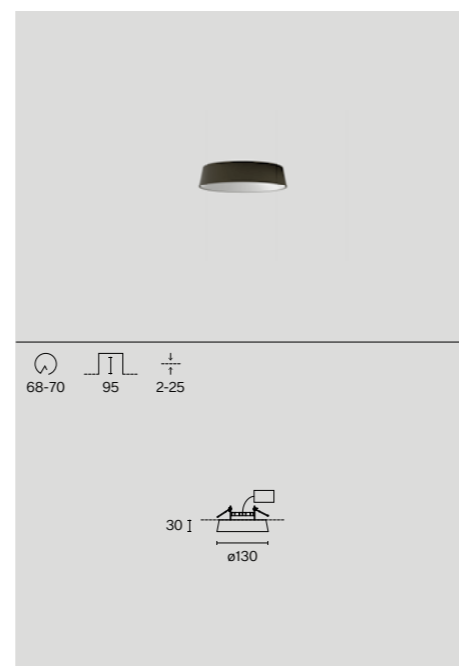
Available in ceiling-mounted, wall-mounted, suspended, and semi-recessed versions, Focal adapts easily to different needs and settings. Its versatility allows it to blend in or stand out, depending on how it's used and combined.

**CLICK INTO PLACE**

Focal is made up of two parts – a light module and a mounting bracket. Once the bracket is in place, the luminaire clicks smoothly into position, making installation quick and straightforward.

WARM REFINEMENT

Designed to enhance its surroundings without drawing unnecessary attention, Focal's interplay between circle and square creates an expression that feels refined yet friendly.

**TECHNICAL INFORMATION**

Material	Lamp Body: Aluminium
IP Rating	IP20
Protection Class	Class I

Light Source	COB LED
LED Lifetime	L80 / 50000 h
Colour Rendering Index	CRI ≥ 90
SDCM	3-step MacAdam
Replaceable light source by a professional	

Accessories	p. 266
--------------------	--------

More technical information online
wastberg.com/focal

**ARTICLE SPECIFIC INFORMATION**

Version	
Colour Temperature / Luminous Flux	
Voltage / Power	
Control	
Weight	

DALI Push dim	
Jet black	●
Raw aluminium	●
Traffic white	●
Pale blue	●
Pale green	●
Pale red	●

Phase-cut dim	
Jet black	●
Raw aluminium	●
Traffic white	●

FOCAL SEMI-RECESSED W222R

Ceiling / Semi-recessed	
2700 K / 997 lm	
220–240 V / 9.4 W	
DALI Push dim / Phase-cut dim	
0.3 kg	

Art.No. / EAN Code	
222R105272 / 7330492001333	
222R120272 / 7330492001357	
222R102272 / 7330492001340	

Art.No. / EAN Code	
222R105271 / 7330492001364	
222R120271 / 7330492001388	
222R102271 / 7330492001371	

FOCAL CEILING W222C

Ceiling / Surface	
2700 K / 995 lm	
220–240 V / 9.4 W	
DALI Push dim / Phase-cut dim	
0.5 kg	

Art.No. / EAN Code	
222C105272 / 7330492000374	
222C120272 / 7330492001302	
222C102272 / 7330492000367	
222C106272 / 7330492000404	
222C101272 / 7330492000398	
222C103272 / 7330492000381	

Art.No. / EAN Code	
222C105271 / 7330492001401	
222C120271 / 7330492001449	
222C102271 / 7330492001395	

FOCAL WALL W222W

Wall / Surface	
2700 K / 995 lm	
220–240 V / 9.4 W	
DALI Push dim / Phase-cut dim	
0.5 kg	

Art.No. / EAN Code	
222W105272 / 7330492000473	
222W120272 / 7330492001326	
222W102272 / 7330492000466	
222W106272 / 7330492000503	
222W101272 / 7330492000497	
222W103272 / 7330492000480	

Art.No. / EAN Code	
222W105271 / 7330492001524	
222W120271 / 7330492001562	
222W102271 / 7330492001517	

FOCAL SUSPENDED W222S

Ceiling / Suspended	
2700 K / 995 lm	
220–240 V / 9.4 W	
DALI Push dim / Phase-cut dim	
0.7 kg	

Art.No. / EAN Code	
222S105272 / 7330492000428	
222S120272 / 7330492001319	
222S102272 / 7330492000411	
222S106272 / 7330492000459	
222S101272 / 7330492000442	
222S103272 / 7330492000435	

Art.No. / EAN Code	
222S105271 / 7330492001463	
222S120271 / 7330492001500	
222S102271 / 7330492001456	

HALO

SUSPENDED
W202S3



AN HOMAGE TO THE LIGHT BULB

Halo reimagines a familiar form – the classic light bulb – giving it new light and life. Paired with artisanal opal glass and an advanced integrated light solution, an everyday object is transformed into something sublime.

VERSION

PENDANT







**FEATURES**

THREE DIFFERENT GLASS SHADES
MOUTH-BLOWN OPAL GLASS
COMFORTABLE HIGH-END LIGHT

**COMFORTABLE HIGH-END LIGHT**

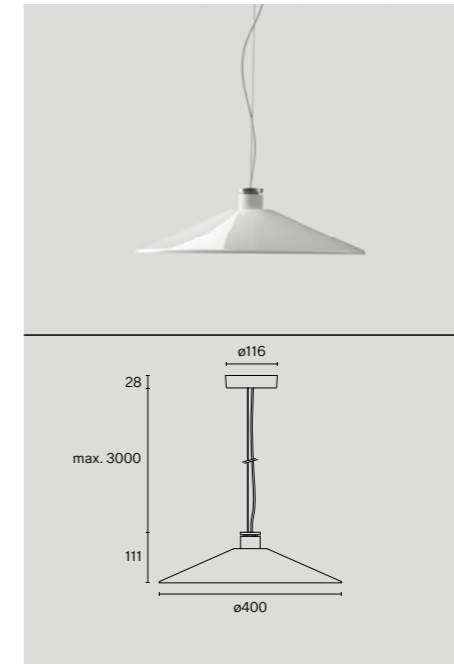
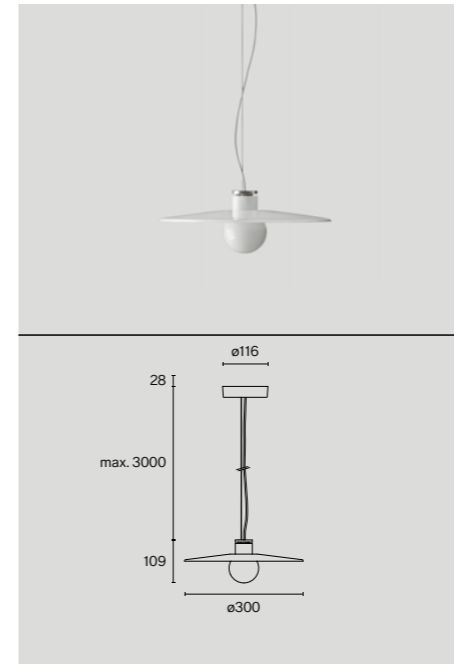
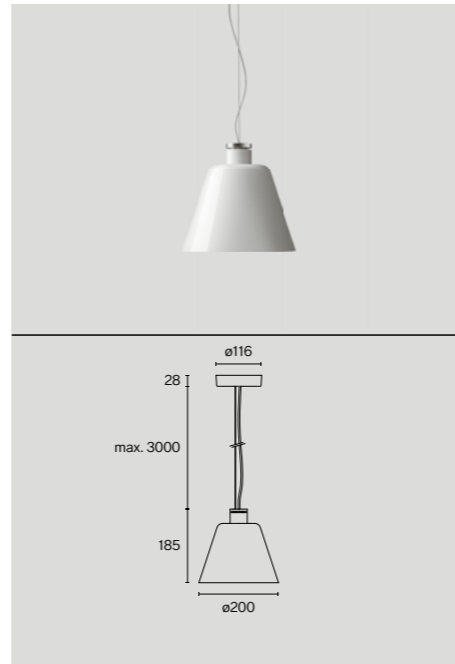
Halo's advanced integrated LED delivers a rich, full-spectrum light, given a soft, comfortable feel when diffused through the opal glass. Its glowing bulb and surrounding shade work together to provide gentle downward illumination as well as an overall atmospheric glow.

**MOUTH-BLOWN OPAL GLASS**

Both bulb and shade are crafted from mouth-blown white opal glass by skilled glassmakers. Beautiful in its own right, the material also gives Halo its distinctive, luminous character.

THREE DIFFERENT GLASS SHADES

Halo is available with three different conical glass shades, each with its own characteristic shape and light. Combined, they create variation while remaining unmistakably related.

**TECHNICAL
INFORMATION**

Material	Shade & Bulb: Opal Glass
IP Rating	IP20
Protection Class	Class II

Light Source	COB LED
LED Lifetime	L80 / 50000 h
Colour Rendering Index	CRI ≥ 98
SDCM	3-step MacAdam
Replaceable light source by a professional	

More technical information online
wastberg.com/halo

**ARTICLE SPECIFIC
INFORMATION**

Version	
Colour Temperature / Luminous Flux	
Voltage / Power	
Control	
Weight	

DALI Push dim

White	<input type="radio"/>
-------	-----------------------

Phase-cut dim

White	<input type="radio"/>
-------	-----------------------

**HALO
SUSPENDED
W202S2**

Ceiling / Suspended	
2700 K / 454 lm	
220–240 V / 7.3 W	
DALI Push dim / Phase-cut dim	
1.2 kg	

Art.No. / EAN Code

202S2002 / 7330492000213

Art.No. / EAN Code

202S200 / 7330492008691

**HALO
SUSPENDED
W202S3**

Ceiling / Suspended	
2700 K / 479 lm	
220–240 V / 7.3 W	
DALI Push dim / Phase-cut dim	
1.2 kg	

Art.No. / EAN Code

202S3002 / 7330492000220

Art.No. / EAN Code

202S300 / 7330492008707

**HALO
SUSPENDED
W202S4**

Ceiling / Suspended	
2700 K / 482 lm	
220–240 V / 7.3 W	
DALI Push dim / Phase-cut dim	
2.4 kg	

Art.No. / EAN Code

202S4002 / 7330492000237

Art.No. / EAN Code

202S400 / 7330492008714



CLAESSON KOIVISTO RUNE

Swedish architecture and design studio Claesson Koivisto Rune, founded in 1995 by Mårten Claesson, Eero Koivisto, and Ola Rune, is a multi-award-winning, internationally renowned practice. With a portfolio of completed projects spanning Europe, Asia, and North and South America, Claesson Koivisto Rune is one of the most recognisable contemporary Scandinavian firms in architecture today. Their work has received numerous awards and distinctions, including Interior Designer of the Year (ELLE Deco Japan), the Asia Ahead Award (Best Hotel Conversion) and the Prince Eugen Medal for outstanding achievements in architecture (Sweden).

DESIGNS FOR W+

Bell (53)
Cone (63)

BELL

SUSPENDED
W131



A SUSPENDED SPOTLIGHT

While small in size, Bell is big on versatility, character, and light. As a pendant lamp, Bell makes a great solo player, but it is also perfect in dynamic, colourful clusters.

VERSION

PENDANT

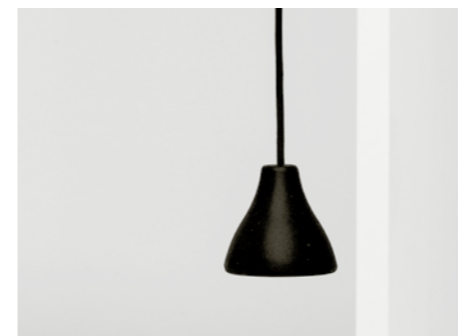






**FEATURES**

MATERIALS THAT RING TRUE
ANYWHERE, ANY SPACE
TEN COLOURS
TRACK COMPATIBLE

**ANYWHERE, ANY SPACE**

Bell is a real pleasure to work with, performing equally well at home and in public spaces. Use it as a solitary piece to light up a single table, in colourful clusters above larger surfaces to add a jolt of life and colour, or as a discreet background accent.

**TEN COLOURS**

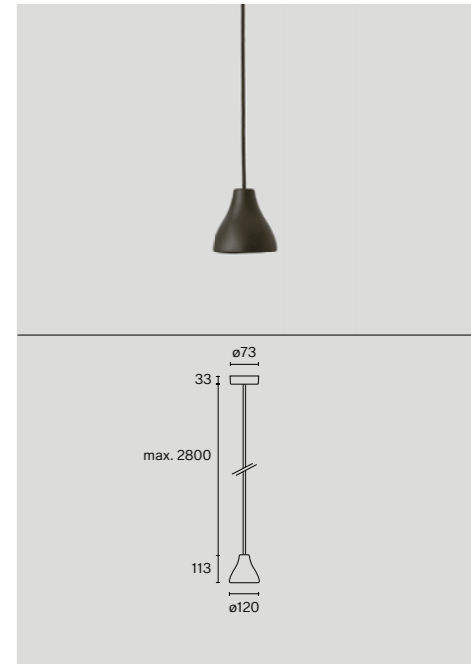
Available in ten colours, each shade is suspended by a matching textile cord for greater visual emphasis.

TRACK COMPATIBLE

Bell is compatible with all major light-track systems.

MATERIALS THAT RING TRUE

Bell's gently rounded shade is made of solid, die-cast aluminium – adding a certain authenticity, weight, and stability seldom found in small pendant lamps.



TECHNICAL INFORMATION

Material	Shade: Aluminium
IP Rating	IP20
Protection Class	Class II

Light Source	PAR16
LED Lifetime	L70 / 25000 h
Colour Rendering Index	CRI ≥ 90
SDCM	6-step MacAdam
Replaceable light source by an end-user	

Accessories	p. 266
-------------	--------

More technical information online
wastberg.com/bell



ARTICLE SPECIFIC INFORMATION

Version	
Colour Temperature / Luminous Flux	
Voltage / Power	
Control	
Weight	

2700 K

Jet black	●	131S1900527 / 7330492002255
Silver grey	●	131S1111127 / 7330492002231
Traffic white	●	131S1901627 / 7330492002323
Beige	●	131S1100127 / 7330492002279
Grass green	●	131S1601027 / 7330492002309
Pure orange	●	131S1200427 / 7330492002248
Sapphire blue	●	131S1500327 / 7330492002293
Sepia brown	●	131S1801427 / 7330492002316
Traffic red	●	131S1302027 / 7330492002286
Zink yellow	●	131S1101827 / 7330492002262

3000 K

Jet black	●	131S1900530 / 7330492002354
Silver grey	●	131S1111130 / 7330492002330
Traffic white	●	131S1901630 / 7330492002422
Beige	●	131S1100130 / 7330492002378
Grass green	●	131S1601030 / 7330492002408
Pure orange	●	131S1200430 / 7330492002347
Sapphire blue	●	131S1500330 / 7330492002392
Sepia brown	●	131S1801430 / 7330492002415
Traffic red	●	131S1302030 / 7330492002385
Zink yellow	●	131S1101830 / 7330492002361

BELL SUSPENDED W131

Ceiling / Suspended	
2700 K / 506 lm	
3000 K / 548 lm	
110–240 V / 6.5 W	
Phase-cut dim	
0.6 kg	

Art.No. / EAN Code

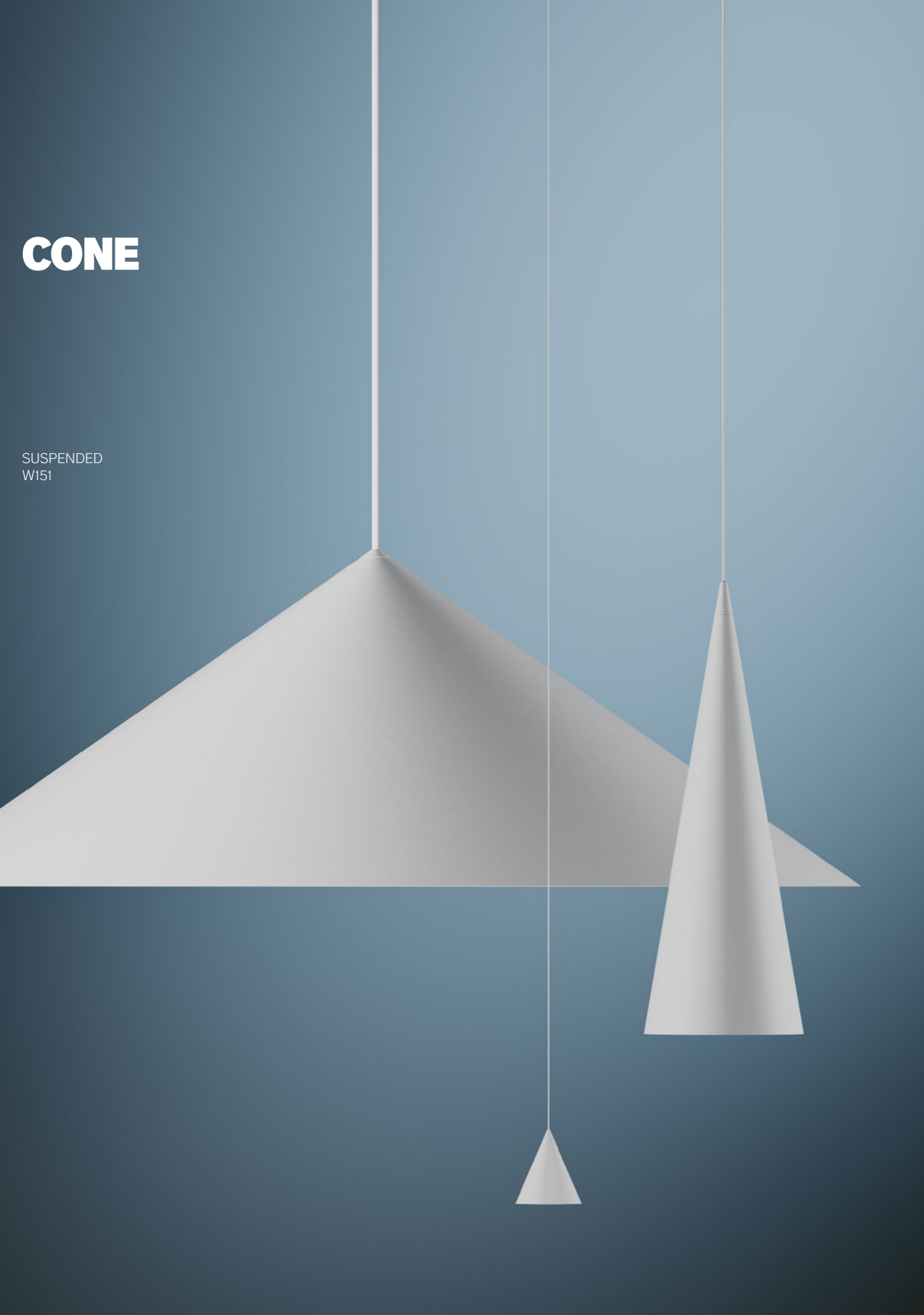
131S1900527 / 7330492002255
131S1111127 / 7330492002231
131S1901627 / 7330492002323
131S1100127 / 7330492002279
131S1601027 / 7330492002309
131S1200427 / 7330492002248
131S1500327 / 7330492002293
131S1801427 / 7330492002316
131S1302027 / 7330492002286
131S1101827 / 7330492002262

Art.No. / EAN Code

131S1900530 / 7330492002354
131S1111130 / 7330492002330
131S1901630 / 7330492002422
131S1100130 / 7330492002378
131S1601030 / 7330492002408
131S1200430 / 7330492002347
131S1500330 / 7330492002392
131S1801430 / 7330492002415
131S1302030 / 7330492002385
131S1101830 / 7330492002361

CONE

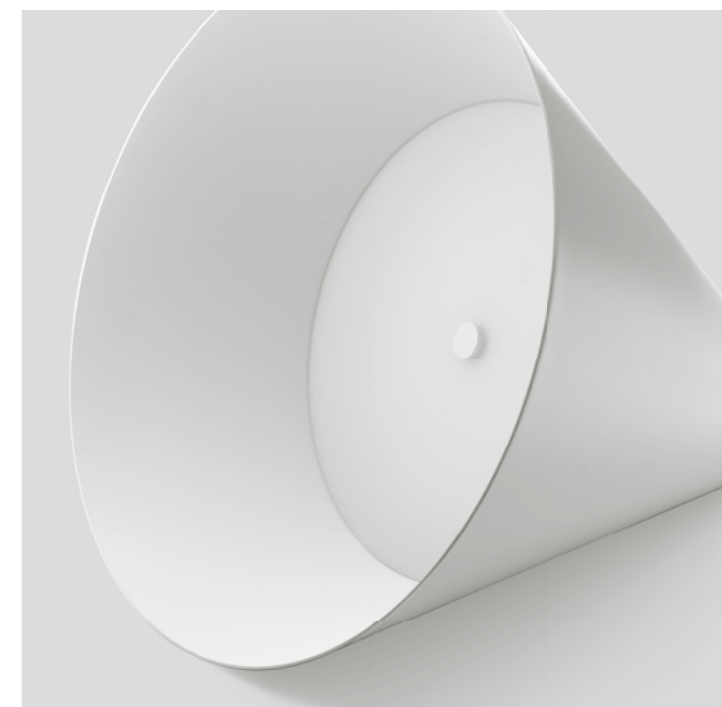
SUSPENDED
W151



GEOMETRY AND SCALE

Cone is an exploration of stark geometry and expressive scale. Spanning three different sizes and conical shapes, the collection moves playfully between compact accents and oversized, striking statements – all the while shaping light and space with clarity and presence.

VERSION
PENDANT











FEATURES

CAPABLE ILLUMINATION
SOLO OR IN CONSTELLATIONS
A SHAPER OF SPACE



SOLO OR IN CONSTELLATIONS

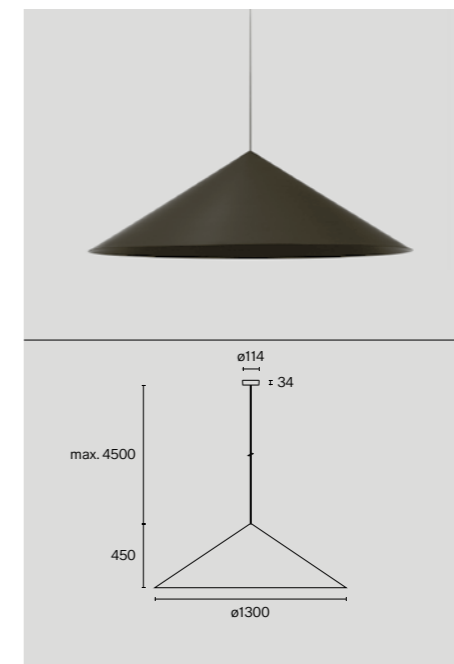
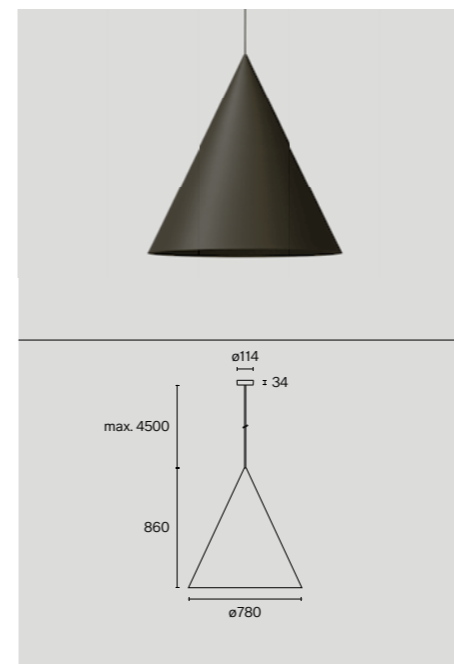
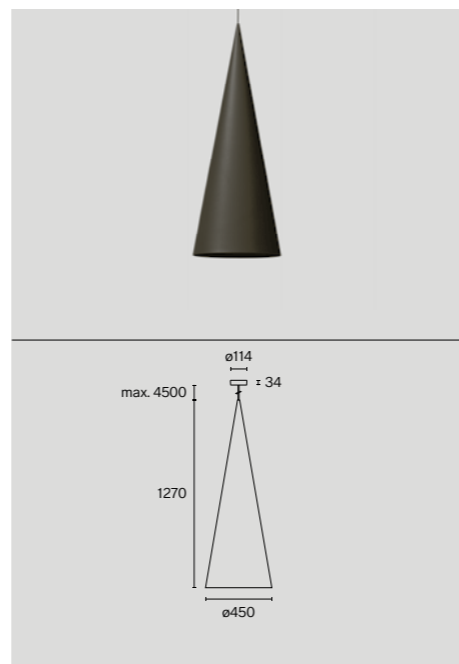
With three conical shapes in three different sizes, beautifully crafted in aluminium, Cone offers a broad vocabulary of expression. Each variation makes a clear statement on its own. Combined, they allow for creative arrangements – strict or playful, symmetrical or dynamic – always with a sense of balance and grace.

A SHAPER OF SPACE

More than just a source of light, pendant lamps bring definition and physical presence to a room. Suspended from the ceiling, Cone shapes both light and atmosphere – helping to emphasise the space it inhabits with comfortable, directed illumination.

CAPABLE ILLUMINATION

Across all sizes, Cone delivers a comfortable, even spread of light. A high-quality lighting solution ensures that both smaller accents and larger statements perform confidently and reliably.

**TECHNICAL
INFORMATION**

Material	Shade: Aluminium
IP Rating	IP20
Protection Class	Class I

Light Source	PCBA LED
LED Lifetime	L90 / 50000 h
Colour Rendering Index	CRI ≥ 90
SDCM	3-step MacAdam
Replaceable light source by a professional	

More technical information online
wastberg.com/cone

**ARTICLE SPECIFIC
INFORMATION**

Version
Colour Temperature / Luminous Flux
Voltage / Power
Control
Weight

2700 K

Jet black	●
Raw aluminium	●
Traffic white	●
Carmine red	●
Purple red	●
Red orange	●

3000 K

Jet black	●
Raw aluminium	●
Traffic white	●
Carmine red	●
Purple red	●
Red orange	●

**CONE
SUSPENDED XL
W151XL1**

Ceiling / Suspended
2700 K / 3540 lm
3000 K / 3720 lm
220–240 V / 44 W
DALI Push dim
5.5 kg

Art.No. / EAN Code

151XL105272 / 7330492008943
151XL120272 / 7330492000787
151XL102272 / 7330492008950
151XL109272 / 7330492008967

Art.No. / EAN Code

151XL105302 / 7330492008974
151XL120302 / 7330492000794
151XL102302 / 7330492008981
151XL109302 / 7330492008998

**CONE
SUSPENDED XL
W151XL2**

Ceiling / Suspended
2700 K / 3920 lm
3000 K / 4110 lm
220–240 V / 44 W
DALI Push dim
6.5 kg

Art.No. / EAN Code

151XL205272 / 7330492009001
151XL220272 / 7330492000800
151XL202272 / 7330492009018
151XL203272 / 7330492009025

Art.No. / EAN Code

151XL205302 / 7330492009032
151XL220302 / 7330492000817
151XL202302 / 7330492009049
151XL203302 / 7330492009056

**CONE
SUSPENDED XL
W151XL3**

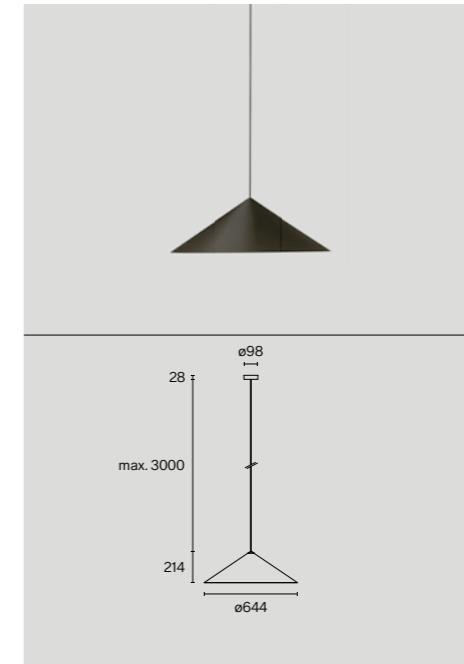
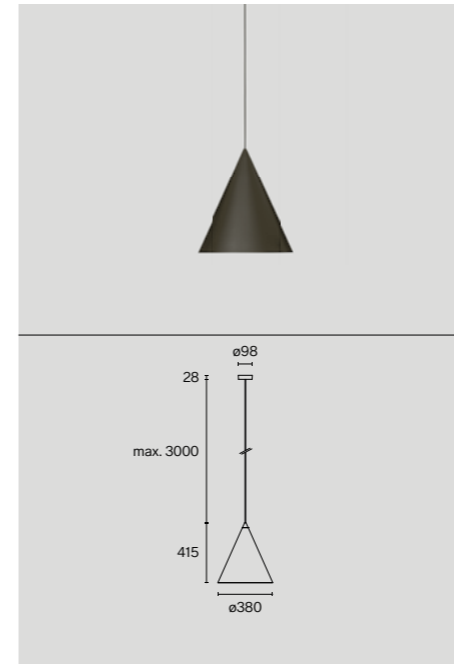
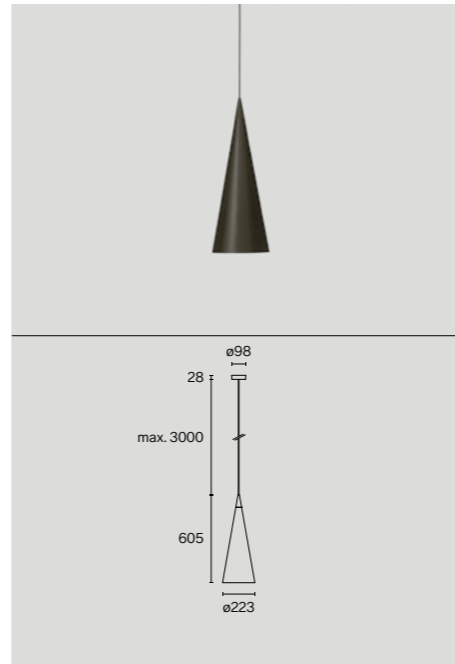
Ceiling / Suspended
2700 K / 4610 lm
3000 K / 4840 lm
220–240 V / 44 W
DALI Push dim
11.5 kg

Art.No. / EAN Code

151XL305272 / 7330492009063
151XL320272 / 7330492000824
151XL302272 / 7330492009070
151XL306272 / 7330492009087

Art.No. / EAN Code

151XL305302 / 7330492009094
151XL320302 / 7330492000831
151XL302302 / 7330492009100
151XL306302 / 7330492009117

**TECHNICAL
INFORMATION**

Material	Shade: Aluminium
IP Rating	IP20
Protection Class	Class I

Light Source	PCBA LED
LED Lifetime	L80 / 50000 h
Colour Rendering Index	CRI ≥ 90
SDCM	3-step MacAdam
Replaceable light source by a professional	

Accessories	p. 266
-------------	--------

More technical information online
wastberg.com/cone

**ARTICLE SPECIFIC
INFORMATION**

Version	
Colour Temperature / Luminous Flux	
Voltage / Power	
Control	
Weight	

2700 K

Jet black	DALI Push dim	●
Raw aluminium	DALI Push dim	●
Traffic white	DALI Push dim	●

Jet black	Phase-cut dim	●
Raw aluminium	Phase-cut dim	●
Traffic white	Phase-cut dim	●

3000 K

Jet black	DALI Push dim	●
Raw aluminium	DALI Push dim	●
Traffic white	DALI Push dim	●

Jet black	Phase-cut dim	●
Raw aluminium	Phase-cut dim	●
Traffic white	Phase-cut dim	●

**CONE
SUSPENDED M
W151M1**

Ceiling / Suspended	
2700 K / 632 lm	
3000 K / 632 lm	
220–240 V / 11.4 W	
DALI Push dim / Phase-cut dim	
1.6 kg	

Art.No. / EAN Code

151M105272 / 7330492000312
151M120272 / 7330492001258
151M102272 / 7330492000305

151M105271 / 7330492000251
151M120271 / 7330492001241
151M102271 / 7330492000244

Art.No. / EAN Code

151M105302 / 7330492017631
151M120302 / 7330492017679
151M102302 / 7330492017716

151M105301 / 7330492017655
151M120301 / 7330492017693
151M102301 / 7330492017730

**CONE
SUSPENDED M
W151M2**

Ceiling / Suspended	
2700 K / 922 lm	
3000 K / 922 lm	
220–240 V / 11.0 W	
DALI Push dim / Phase-cut dim	
2.1 kg	

Art.No. / EAN Code

151M205272 / 7330492000336
151M220272 / 7330492001272
151M202272 / 7330492000329

151M205271 / 7330492000275
151M220271 / 7330492001265
151M202271 / 7330492000268

Art.No. / EAN Code

151M205302 / 7330492017754
151M220302 / 7330492017792
151M202302 / 7330492017839

151M205301 / 7330492017778
151M220301 / 7330492017815
151M202301 / 7330492017853

**CONE
SUSPENDED M
W151M3**

Ceiling / Suspended	
2700 K / 1010 lm	
3000 K / 1010 lm	
220–240 V / 11.0 W	
DALI Push dim / Phase-cut dim	
2.8 kg	

Art.No. / EAN Code

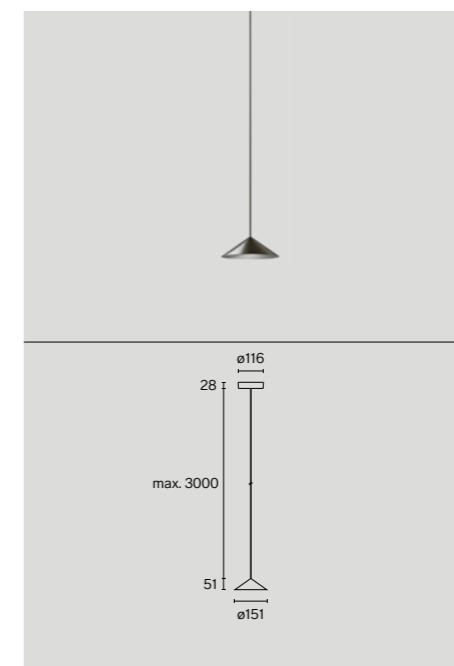
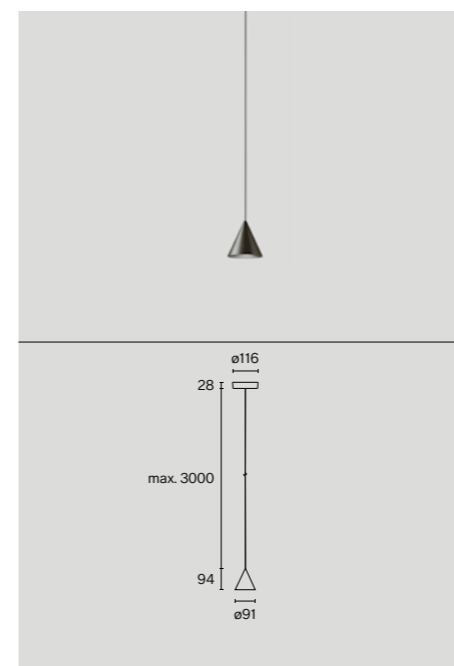
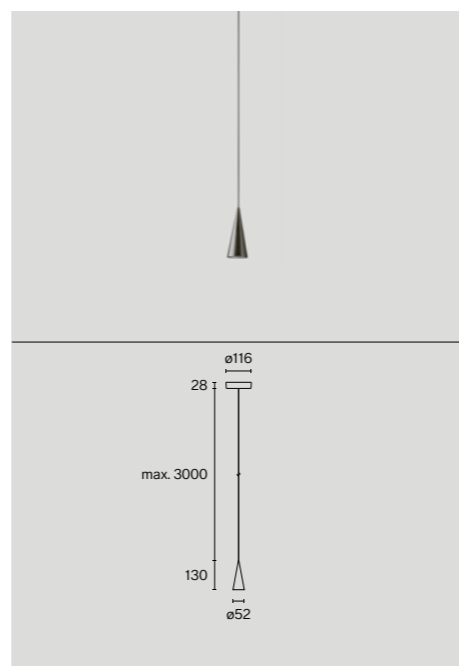
151M305272 / 7330492000350
151M320272 / 7330492001296
151M302272 / 7330492000343

151M305271 / 7330492000299
151M320271 / 7330492001289
151M302271 / 7330492000282

Art.No. / EAN Code

151M305302 / 7330492017877
151M320302 / 7330492017914
151M302302 / 7330492017952

151M305301 / 7330492017891
151M320301 / 7330492017938
151M302301 / 7330492017976

**TECHNICAL
INFORMATION**

Material	Shade: Aluminium
IP Rating	IP20
Protection Class	Class II

Light Source	COB LED
LED Lifetime	L90 / 50000 h
Colour Rendering Index	CRI ≥ 98
SDCM	3-step MacAdam
Replaceable light source by a professional	

More technical information online
wastberg.com/cone

**ARTICLE SPECIFIC
INFORMATION**

Version	
Colour Temperature / Luminous Flux	
Voltage / Power	
Control	
Weight	

2700 K

Jet black	DALI Push dim	●
Raw aluminium	DALI Push dim	●
Traffic white	DALI Push dim	●

Jet black	Phase-cut dim	●
Raw aluminium	Phase-cut dim	●
Traffic white	Phase-cut dim	●

3000 K

Jet black	DALI Push dim	●
Raw aluminium	DALI Push dim	●
Traffic white	DALI Push dim	●

Jet black	Phase-cut dim	●
Raw aluminium	Phase-cut dim	●
Traffic white	Phase-cut dim	●

**CONE
SUSPENDED XS
W151XS1**

Ceiling / Suspended	
2700 K / 428 lm	
3000 K / 460 lm	
220–240 V / 7.3 W	
DALI Push dim / Phase-cut dim	
0.4 kg	

Art.No. / EAN Code

151XS105272 / 7330492000169
151XS120272 / 7330492001197
151XS102272 / 7330492000152

151XS105271 / 7330492008615
151XS120271 / 7330492001180
151XS102271 / 7330492008608

Art.No. / EAN Code

151XS105302 / 7330492022659
151XS120302 / 7330492022673
151XS102302 / 7330492022635

151XS105301 / 7330492022642
151XS120301 / 7330492022666
151XS102301 / 7330492022628

**CONE
SUSPENDED XS
W151XS2**

Ceiling / Suspended	
2700 K / 450 lm	
3000 K / 484 lm	
220–240 V / 7.3 W	
DALI Push dim / Phase-cut dim	
0.6 kg	

Art.No. / EAN Code

151XS205272 / 7330492000183
151XS220272 / 7330492001210
151XS202272 / 7330492000176

151XS205271 / 7330492008646
151XS220271 / 7330492001203
151XS202271 / 7330492008639

Art.No. / EAN Code

151XS205302 / 7330492022710
151XS220302 / 7330492022734
151XS202302 / 7330492022697

151XS205301 / 7330492022703
151XS220301 / 7330492022727
151XS202301 / 7330492022680

**CONE
SUSPENDED XS
W151XS3**

Ceiling / Suspended	
2700 K / 450 lm	
3000 K / 484 lm	
220–240 V / 7.3 W	
DALI Push dim / Phase-cut dim	
0.8 kg	

Art.No. / EAN Code

151XS305272 / 7330492000206
151XS320272 / 7330492001234
151XS302272 / 7330492000190

151XS305271 / 7330492008677
151XS320271 / 7330492001227
151XS302271 / 7330492008660

Art.No. / EAN Code

151XS305302 / 7330492022772
151XS320302 / 7330492022796
151XS302302 / 7330492022758

151XS305301 / 7330492022765
151XS320301 / 7330492022789
151XS302301 / 7330492022741



SAM HECHT AND KIM COLIN

In 2002 architect Kim Colin and industrial designer Sam Hecht formed the design office Industrial Facility. With clients including Muji and Herman Miller, they are renowned for their philosophical and pragmatic approach. They are both elected Royal Designers, an honour that recognises sustained design excellence with significant benefit to society. Their work is featured in the permanent collections of leading cultural institutions such as the Museum of Modern Art (MoMA), the Centre Pompidou, and V&A in London, underscoring their contribution to contemporary design.

DESIGNS FOR W+

Dalston (81)
Pastille (91)

DALSTON

SUSPENDED
W162S3



INDUSTRIAL CHARM

Dalston takes its cue from the lamps commonly found in workshops, inspired not only by their straightforward functionality but also by their classic, unassuming character. Refining and updating this practical approach with advanced LED technology, Dalston provides high-quality illumination without attracting too much attention – unless, of course, you want it to.

VERSION

PENDANT









FEATURES

**COLOUR COORDINATED
A MODULAR SYSTEM
THREE DISTINCT SHADES**



A MODULAR SYSTEM

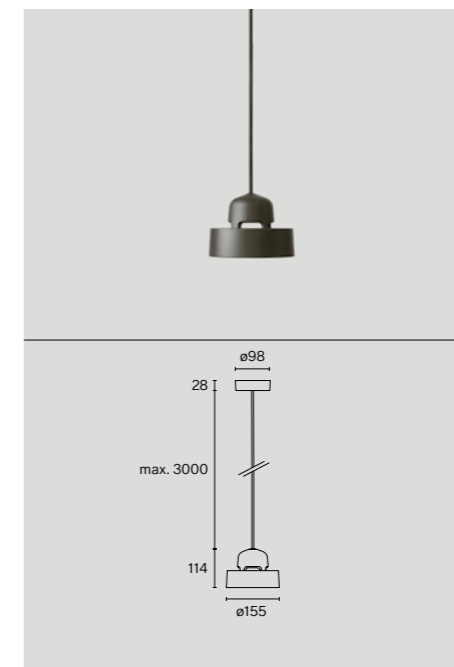
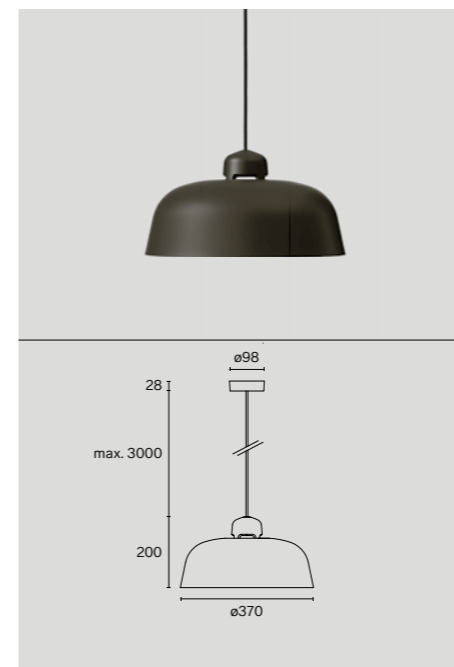
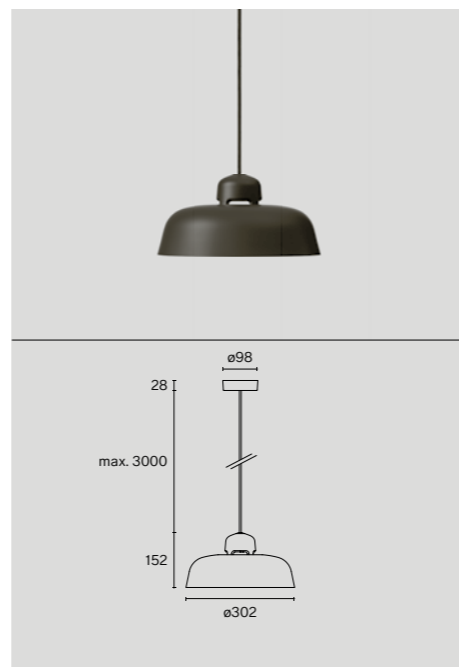
Dalston's robust, reliable construction is based on a flexible, modular concept. The die-cast aluminium LED engine – which doubles as a heat sink – attaches to the separate shade, allowing different shapes and sizes to be combined with ease.

THREE DISTINCT SHADES

Dalston is offered with three different shade designs. Two feature a softly rounded bell shape in spun steel – one smaller, one larger – while a third introduces a more compact, angular expression in die-cast aluminium, suited to smaller-scale or more technical lighting needs.

COLOUR COORDINATED

Dalston's LED engine is available in four colours and can be paired with any of the three shade designs. The shades come in the same four colours, as well as a brushed raw aluminium finish for a more technical expression.

**TECHNICAL
INFORMATION**

Material	Shade: Aluminium / Aluminium painted
IP Rating	IP20
Protection Class	Class I

Light Source	COB LED
LED Lifetime	L90 / 50000 h
Colour Rendering Index	CRI ≥ 90
SDCM	3-step MacAdam
Replaceable light source by a professional	

Accessories	p. 266
--------------------	--------

More technical information and
colour configurator online
wastberg.com/dalston

**ARTICLE SPECIFIC
INFORMATION**

Version	
Colour Temperature / Luminous Flux	
Voltage / Power	
Control	
Weight	

Colours/Finish	
Graphite black	●
Raw aluminium	●
Silk grey	●
Aluminium painted	●
Nut brown	●
Olive green	●

**DALSTON
SUSPENDED
W162S1**

Ceiling / Suspended	
2700 K / 593 lm	
220–240 V / 9.4 W	
Phase-cut dim	
1.2 kg	

Art.No. / EAN Code	
162S119011 / 7330492009131	
162S127044 / 7330492009193	
162S150002 / 7330492000893	
162S138011 / 7330492009254	
162S146003 / 7330492009315	

**DALSTON
SUSPENDED
W162S2**

Ceiling / Suspended	
2700 K / 583 lm	
220–240 V / 9.4 W	
Phase-cut dim	
1.6 kg	

Art.No. / EAN Code	
162S219011 / 7330492009322	
162S227044 / 7330492009377	
162S250002 / 7330492000985	
162S238011 / 7330492009421	
162S246003 / 7330492009476	

**DALSTON
SUSPENDED
W162S3**

Ceiling / Suspended	
2700 K / 607 lm	
220–240 V / 9.4 W	
Phase-cut dim	
1.4 kg	

Art.No. / EAN Code	
162S319011 / 7330492001135	
162S350002 / 7330492001074	
162S327044 / 7330492001098	

PASTILLE

BASE, PIN AND FLOOR
W242



A PURE DISC OF LIGHT

Pastille builds on pure geometric simplicity: a luminous disc attached to a thin vertical line. Designed as an invitation to interaction, its generous light can be fluidly rotated and directed – shifting seamlessly from bright, comfortable clarity to a soft, ambient glow.

VERSIONS

TABLE
WALL
FLOOR







FEATURES

WIDE, COMFORTABLE LIGHT
MINIMAL FOOTPRINT, HIGH FLEXIBILITY
FLUID ROTATION
CLOSE ATTENTION TO DETAIL

WIDE, COMFORTABLE LIGHT

Thanks to its large reflector and wide concave diffuser, Pastille delivers a generous spread of warm, soft illumination with clear yet gentle definition.

CLOSE ATTENTION TO DETAIL

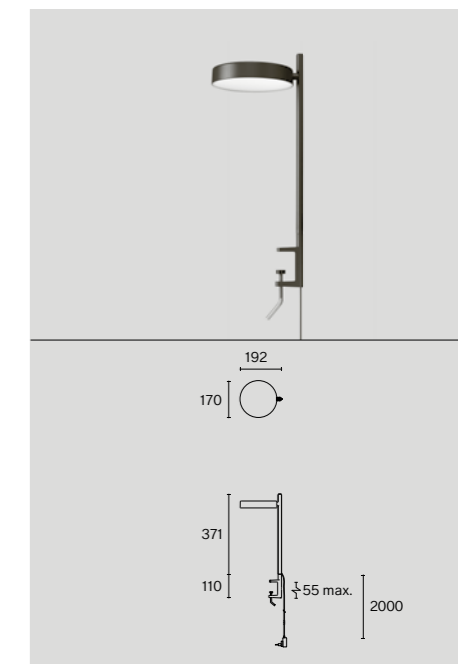
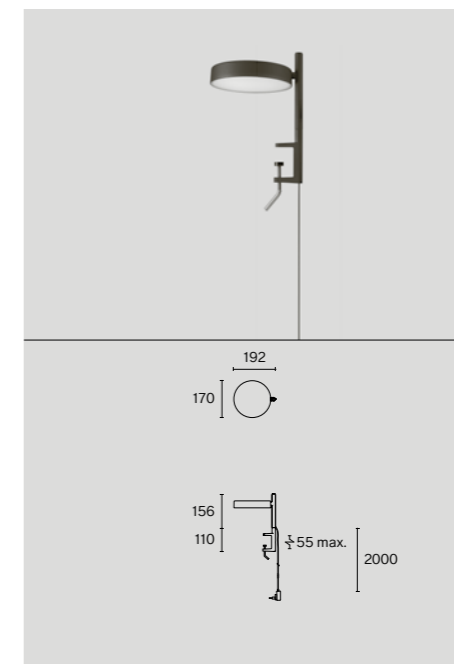
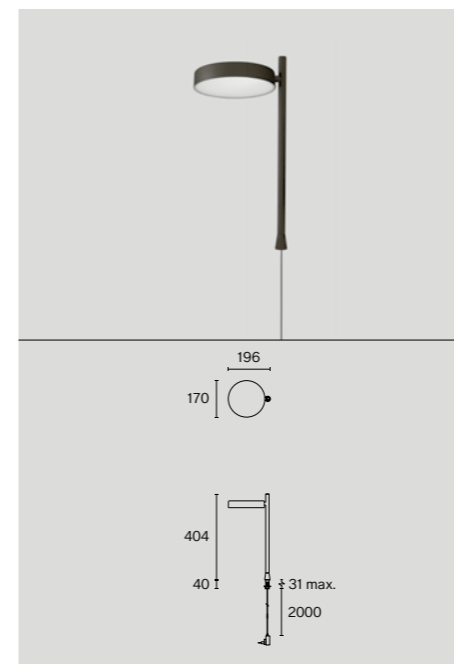
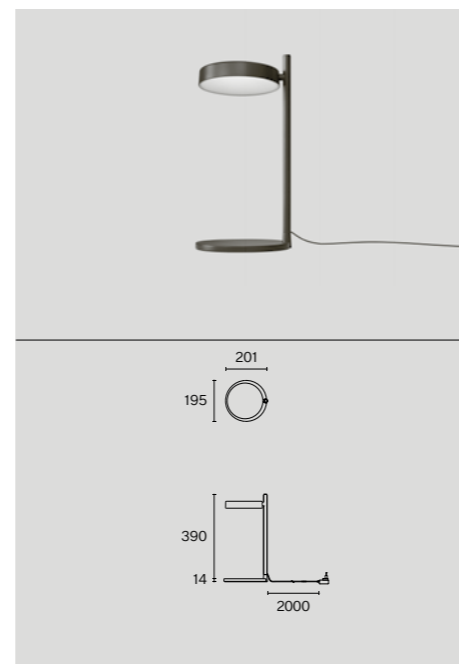
Every detail has been crafted with careful thought and great precision – from the smooth mechanics and innovative materials to the integrated dimmer button at the top of the pole.

**FLUID ROTATION**

By rotating the disc 90° in either direction – as well as around its own axis – Pastille's light can be used to provide comfortable direct illumination or reflected off walls for a softer, more diffused glow.

**MINIMAL FOOTPRINT, HIGH FLEXIBILITY**

With its compact form, Pastille adapts easily to different needs while taking up very little space. A wide range of mounting options – including table, clamp, wall, and floor versions – allow it to be used in many settings without visual clutter.

**TECHNICAL
INFORMATION**

Material	Lamp Body: Aluminium
IP Rating	IP20
Protection Class	Class II

Light Source	COB LED
LED Lifetime	L80 / 50000 h
Colour Rendering Index	CRI ≥ 98
SDCM	3-step MacAdam
Replaceable light source by a professional	

Accessories	p. 267
-------------	--------

More technical information online
wastberg.com/pastille

**ARTICLE SPECIFIC
INFORMATION**

Version	
Colour Temperature / Luminous Flux	
Voltage / Power	
Control	
Weight	

Colours/Finish

Jet black	●
Raw aluminium	●
Traffic white	●
Olive green	●
Oxide red	●
Telegray 4	●

PASTILLE

BASE
W242B2

Table / Standing	
2700 K / 472 lm	
100–240 V / 7.4 W	
Integrated dimmer switch	
1.7 kg	

Art.No. / EAN Code

242B20527EU / 7330492011745
242B22027EU / 7330492011769
242B20227EU / 7330492011684
242B20127EU / 7330492011677
242B20327EU / 7330492011707
242B20427EU / 7330492011721

PASTILLE

PIN
W242P2

Table / Pin	
2700 K / 472 lm	
100–240 V / 7.4 W	
Integrated dimmer switch	
0.7 kg	

Art.No. / EAN Code

242P20527EU / 7330492012629
242P22027EU / 7330492012643
242P20227EU / 7330492012575
242P20127EU / 7330492012544
242P20327EU / 7330492012599
242P20427EU / 7330492012605

PASTILLE

CLAMP SHORT
W242CL1

Table / Clamp	
2700 K / 472 lm	
100–240 V / 7.4 W	
Integrated dimmer switch	
0.6 kg	

Art.No. / EAN Code

242CL10527EU / 7330492012223
242CL12027EU / 7330492012254
242CL10227EU / 7330492012162
242CL10127EU / 7330492012155
242CL10327EU / 7330492012186
242CL10427EU / 7330492012216

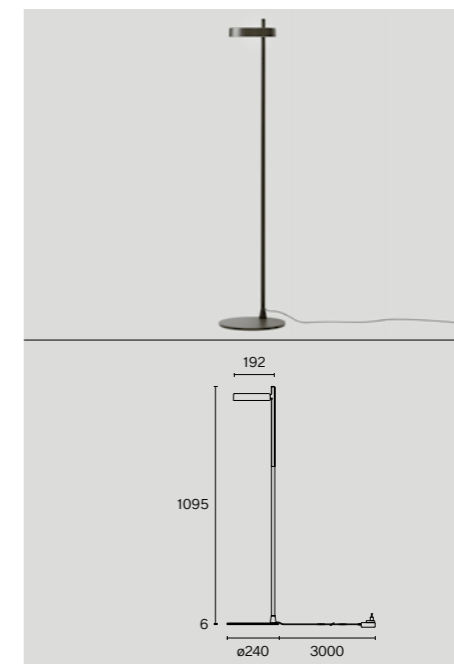
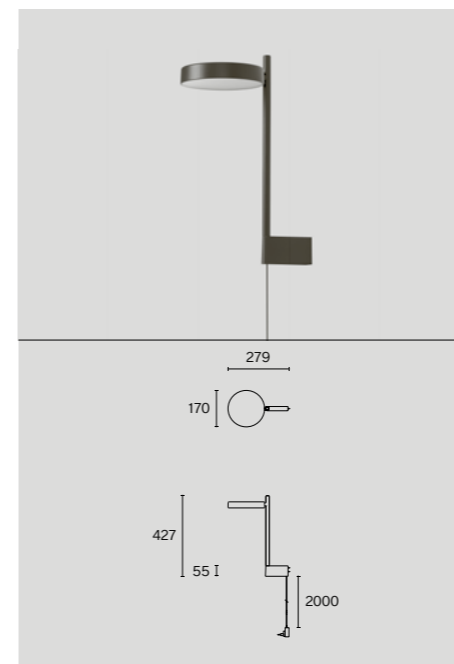
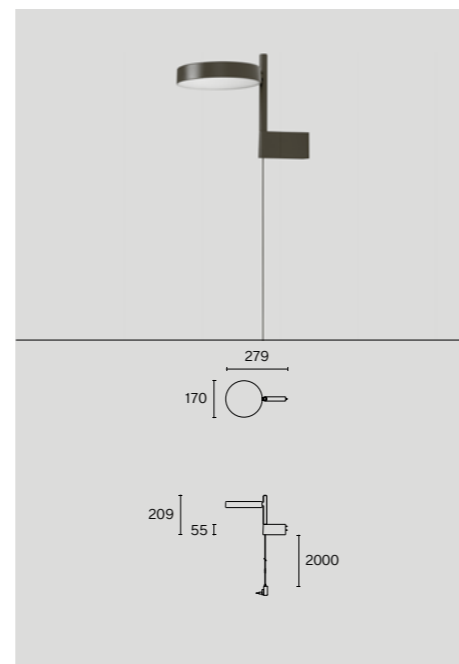
PASTILLE

CLAMP LONG
W242CL2

Table / Clamp	
2700 K / 472 lm	
100–240 V / 7.4 W	
Integrated dimmer switch	
0.7 kg	

Art.No. / EAN Code

242CL20527EU / 7330492012346
242CL22027EU / 7330492012360
242CL20227EU / 7330492012292
242CL20127EU / 7330492012261
242CL20327EU / 7330492012315
242CL20427EU / 7330492012339

**TECHNICAL
INFORMATION**

Material	Lamp Body: Aluminium
IP Rating	IP20
Protection Class	Class II

Light Source	COB LED
LED Lifetime	L80 / 50000 h
Colour Rendering Index	CRI ≥ 98
SDCM	3-step MacAdam
Replaceable light source by a professional	

More technical information online
wastberg.com/pastille

**ARTICLE SPECIFIC
INFORMATION**

Version	
Colour Temperature / Luminous Flux	
Voltage / Power	
Control	
Weight	

Colours/Finish

Jet black	●
Raw aluminium	●
Traffic white	●
Olive green	●
Oxide red	●
Telegrey 4	●

PASTILLE**BRACKET SHORT
W242BR1**

Wall / Surface	
Colour Temperature / Luminous Flux	2700 K / 472 lm
Voltage / Power	100–240 V / 7.4 W
Control	Integrated dimmer switch
Weight	0.6 kg

Art.No. / EAN Code

242BR10527EU / 7330492011936
242BR12027EU / 7330492011950
242BR10227EU / 7330492011875
242BR10127EU / 7330492011851
242BR10327EU / 7330492011899
242BR10427EU / 7330492011912

PASTILLE**BRACKET LONG
W242BR2**

Wall / Surface	
Colour Temperature / Luminous Flux	2700 K / 472 lm
Voltage / Power	100–240 V / 7.4 W
Control	Integrated dimmer switch
Weight	0.7 kg

Art.No. / EAN Code

242BR20527EU / 7330492012056
242BR22027EU / 7330492012063
242BR20227EU / 7330492011981
242BR20127EU / 7330492011967
242BR20327EU / 7330492012018
242BR20427EU / 7330492012025

PASTILLE**FLOOR
W242F2**

Floor / Standing	
Colour Temperature / Luminous Flux	2700 K / 472 lm
Voltage / Power	100–240 V / 7.4 W
Control	Integrated dimmer switch
Weight	3.4 kg

Art.No. / EAN Code

242F20527EU / 7330492012537
242F20227EU / 7330492012476
242F20127EU / 7330492012445
242F20327EU / 7330492012490
242F20427EU / 7330492012506



ILSE CRAWFORD

Together with her multi-disciplinary London team, Ilse Crawford – founder of Studioilse – brings her philosophy to life. This means creating environments where humans feel comfortable: public spaces where people feel at home, and homes that make sense to those who live in them, using materials that minimise harm to people and planet. It also involves restoring a human balance in brands and businesses that have lost their way. Her work's recognitions include OBE (Order of the British Empire) and the ELLE Decoration Designer of the Year award in 2017.

DESIGN FOR W+

Ilumina (105)

ILUMINATABLE
W203**A CONTEMPORARY CLASSIC**

Shining in the dark like an illuminated manuscript, Ilumina is our modern take on the classic library lamp – drawing on innovative lighting technology while personifying our love of materials.

VERSION**TABLE**





**FEATURES**

POLISHED, BRUSHED, OR MATTE
SLIDING DIMMER
GENTLE LIGHT

**SLIDING DIMMER**

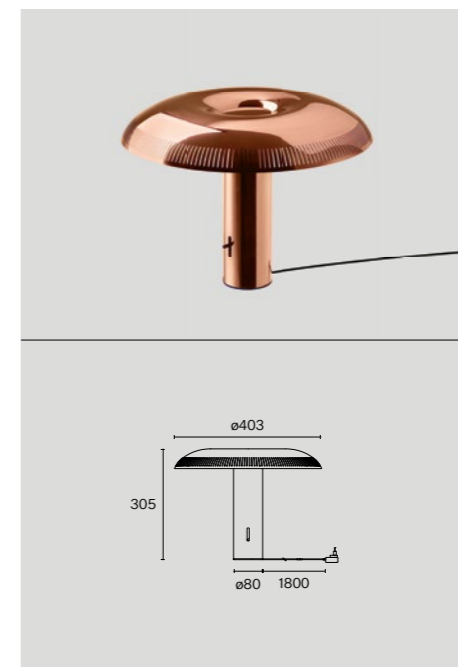
Illumina's smoothly sliding dimmer makes light adjustment tactile and enjoyable.

**GENTLE LIGHT**

Whether used in the home or the office, Illumina offers a warm, familiar ambience and directed light with clear yet gentle definition. With no visible light source to distract the eye, it allows the quality of the light itself to take centre stage.

POLISHED, BRUSHED, OR MATTE

Illumina is available in three distinct material expressions. Polished copper reflects the lamp's library heritage and develops a rich patina over time; brushed aluminium offers a sober, contemporary feel; and matte eggshell white provides a softer, more understated presence.

**TECHNICAL
INFORMATION**

Material	Shade & Base: Aluminium / Copper
IP Rating	IP20
Protection Class	Class II

Light Source	PCBA LED
LED Lifetime	L80 / 50000 h
Colour Rendering Index	CRI ≥ 90
SDCM	3-step MacAdam
Replaceable light source by a professional	

More technical information online
wastberg.com/ilumina

**ARTICLE SPECIFIC
INFORMATION**

Version	
Colour Temperature / Luminous Flux	
Voltage / Power	
Control	
Weight	

Colours/Finish

Raw aluminium	●
Signal white	●
Copper	●

**ILUMINA
TABLE
W203**

Table / Standing	
Colour Temperature / Luminous Flux	2700 K / 291 lm
Voltage / Power	100–240 V / 7.2 W
Control	Integrated sliding dimmer potentiometer
Weight	1.6 kg

Art.No. / EAN Code

203T100EU / 7330492008721

**ILUMINA
TABLE
W203**

Table / Standing	
Colour Temperature / Luminous Flux	2700 K / 232 lm
Voltage / Power	100–240 V / 7.2 W
Control	Integrated sliding dimmer potentiometer
Weight	1.6 kg

Art.No. / EAN Code

203T200EU / 7330492008738

**ILUMINA
TABLE
W203**

Table / Standing	
Colour Temperature / Luminous Flux	2700 K / 226 lm
Voltage / Power	100–240 V / 7.2 W
Control	Integrated sliding dimmer potentiometer
Weight	3.6 kg

Art.No. / EAN Code

203T300EU / 7330492008745



JOHN PAWSON

John Pawson's work spans an exceptional range – from private houses and hotels to ballet sets, yacht interiors, and monasteries. Across every scale and typology, he applies the same consistent philosophy of space. As he puts it, "it's all architecture" – meaning even a fork can convey ideas about how we live and what we value. His numerous awards, titles, and recognitions include the Royal Institute of British Architects (RIBA) Awards, recognition at the World Architecture Festival (WAF), and inclusion in the Architectural Digest AD100 list of the world's most influential architects and designers.

DESIGNS FOR W+

Lightbox (117)
Pawson (125)

LIGHTBOX

FLOOR
W262F1



AN OBJECT OF LIGHT

As much a sculpture as it is a lamp, Lightbox acts as a contemplative presence that brings warmth and poise to any space. Its strict aluminium shell opens to reveal a slab of quartzite, through which light is diffused with unexpected, welcome softness.

VERSIONS

TABLE
FLOOR







FEATURES

SOOTHING GLOW
MATERIAL CONTRAST
LIGHT SCULPTURE

SOOTHING GLOW

Lightbox casts a calm, diffused glow that adds ambience without overpowering the space it inhabits. Fully dimmable, it works as a quiet accent or a primary mood-setter – a reassuring source of warm illumination.

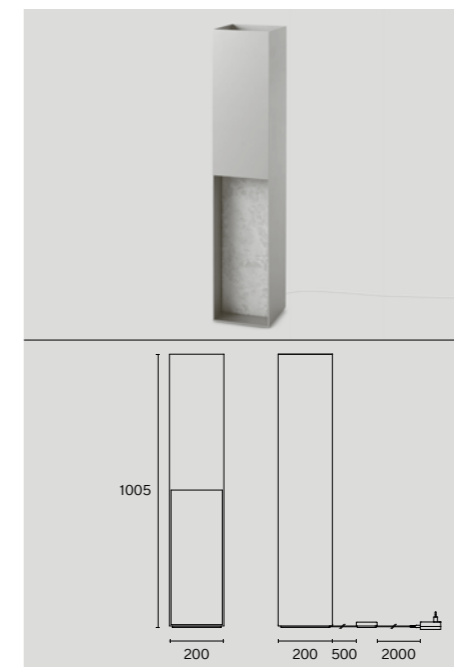
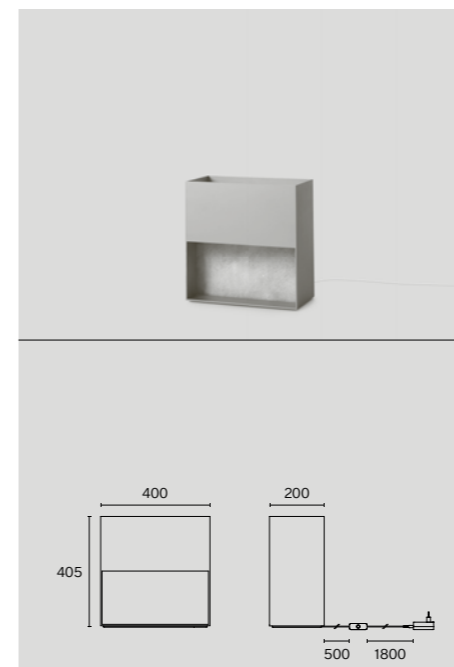
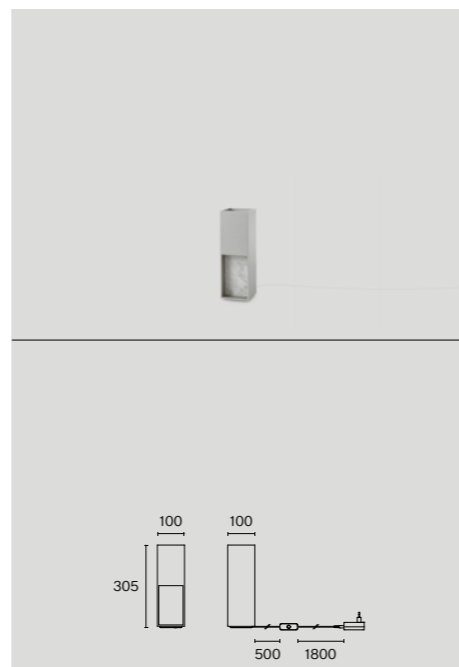
MATERIAL CONTRAST

The precisely cut, coated aluminium gives way to quartzite – a stone renowned for its exceptional hardness and density. Once backlit, it becomes delicately translucent, diffusing light with an organic softness that balances its weight and solidity.



LIGHT SCULPTURE

Lightbox's strict geometry and considered proportions give it the presence of a sculptural object, while the light it emits shifts subtly with placement and viewing angle. In its largest floor-standing version, it becomes a genuine focal point in the room.

**TECHNICAL
INFORMATION**

Material	Lamp Body: Aluminium / Quartzite
IP Rating	IP20
Protection Class	Class II

Light Source	PCBA LED
LED Lifetime	L80 / 50000 h
Colour Rendering Index	CRI ≥ 90
SDCM	3-step MacAdam
Replaceable light source by a professional	

More technical information online
wastberg.com/lightbox

**ARTICLE SPECIFIC
INFORMATION**

Version	
Colour Temperature / Luminous Flux	
Voltage / Power	
Control	
Weight	

Finish	Aluminium / Quartzite ●
---------------	-------------------------

**LIGHTBOX
TABLE
W262T1**

Table / Standing	
Colour Temperature / Luminous Flux	2200 K / 750 lm
Voltage / Power	100–240 V / 11.0 W
Control	Dimmer switch on cord
Weight	3 kg

Art.No. / EAN Code	262T132742EU / 7330492017198
---------------------------	------------------------------

**LIGHTBOX
TABLE
W262T2**

Table / Standing	
Colour Temperature / Luminous Flux	2200 K / 1050 lm
Voltage / Power	100–240 V / 15.0 W
Control	Dimmer switch on cord
Weight	13 kg

Art.No. / EAN Code	262T232742EU / 7330492017303
---------------------------	------------------------------

**LIGHTBOX
FLOOR
W262F1**

Floor / Standing	
Colour Temperature / Luminous Flux	2200 K / 1080 lm
Voltage / Power	100–240 V / 15.0 W
Control	Dimmer switch on cord
Weight	16 kg

Art.No. / EAN Code	262F132742EU / 7330492017266
---------------------------	------------------------------

PAWSONTABLE
W223**QUIETLY MONUMENTAL**

Pawson explores the tension between mass and light. Sculptural and restrained, each piece is defined as much by its gravity and material presence as by the unique light it emits.

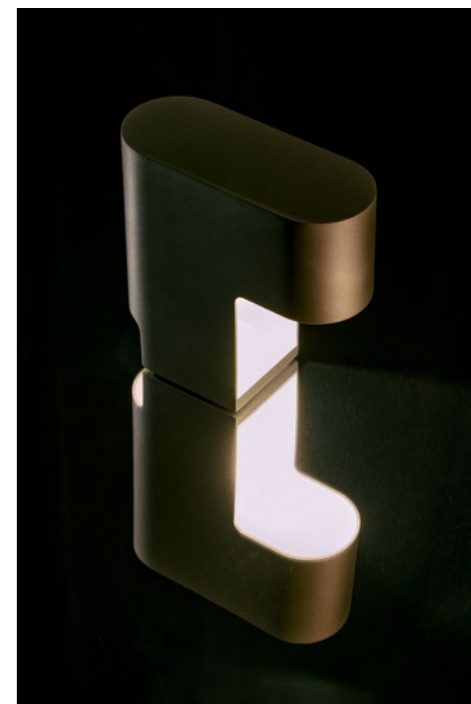
VERSION**TABLE**



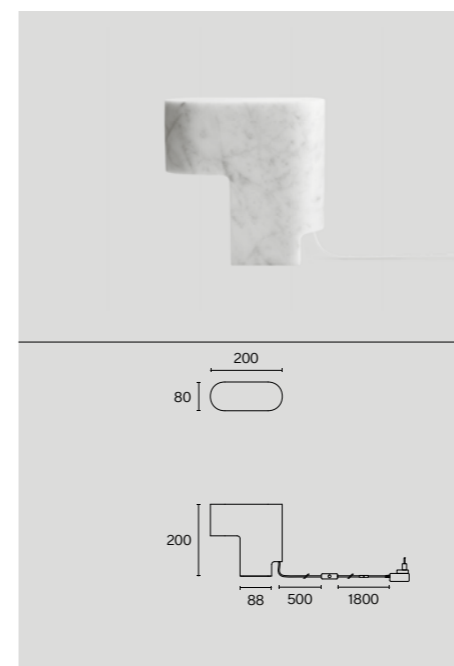
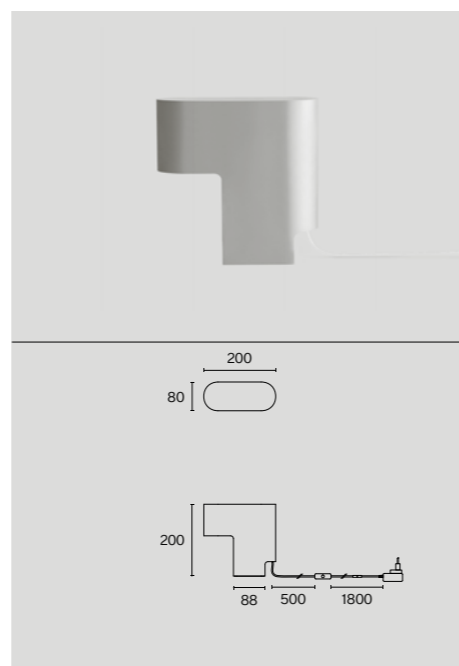


**FEATURES****ARTISANAL MATERIALS**
SCULPTURAL LIGHT**ARTISANAL MATERIALS**

Pawson's high-quality materials are carefully chosen for their weight, texture, and light-bearing qualities. Each responds differently when illuminated, becoming an active part of the lamp's expression. Solid marble brings both weight and an organic softness to the light, while aluminium offers precision, reflectivity, and a distinctly contemporary feel.

**SCULPTURAL LIGHT**

Rather than simply projecting light, Pawson allows it to actually inhabit the material itself – creating subtle shapes, reflections, and shadows that shift with both material and viewpoint.

**TECHNICAL
INFORMATION**

Material	Lamp Body: Aluminium / Marble
IP Rating	IP20
Protection Class	Class II

Light Source	LED
LED Lifetime	L80 / 50000 h
Colour Rendering Index	CRI ≥ 98
SDCM	3-step MacAdam
Replaceable light source by a professional	

More technical information online
wastberg.com/pawson

**ARTICLE SPECIFIC
INFORMATION**

Version	
Colour Temperature / Luminous Flux	
Voltage / Power	
Control	
Weight	

Finish	
Aluminium	●
Marble	●

**PAWSON
TABLE
W223**

Table / Standing	
2700 K / 133 lm	
100–240 V / 7.2 W	
Dimmer switch on cord	
1.2 kg	

Art.No. / EAN Code	
223T12027EU / 7330492000534	

**PAWSON
TABLE
W223**

Table / Standing	
2700 K / 116 lm	
100–240 V / 7.2 W	
Dimmer switch on cord	
5.1 kg	

Art.No. / EAN Code	
223T14027EU / 7330492000527	



INGA SEMPÉ

Inga Sempé is a French designer. In 2000, she opened her industrial design studio in Paris, collaborating with Italian companies, including Cappellini and Edra. Her research focuses on everyday domestic objects and their industrial production. She is now collaborating with many Scandinavian, Italian, and French companies, among them Ligne Roset, Kvadrat, Hay, Magis, Alessi, Mutina, Iittala, Svenskt Tenn, Nanimarquina, Revol. In recent years, she has had several personal exhibitions, including at the Philadelphia Museum of Art and the Triennale Milano.

DESIGNS FOR W+

Île (137)
Lampyre (147)

ÎLE

CLAMP
W153

RETHINKING THE CLAMP LAMP

Île revisits the clever simplicity of the classic clamp lamp – upgrading its status while adding functionality, versatility, and character. Its easy adjustability, thoughtful details, and friendly, contemporary colour palette make it just as practical as it is playful.

VERSION**TABLE**







COLOUR PLAY

The aluminium shade's matte finish is available in a palette of seven colours, carefully chosen to reflect Île's contemporary, quietly playful personality.

FEATURES

COLOUR PLAY
FLEXIBLE BY NATURE
PARED DOWN AND TECHED UP



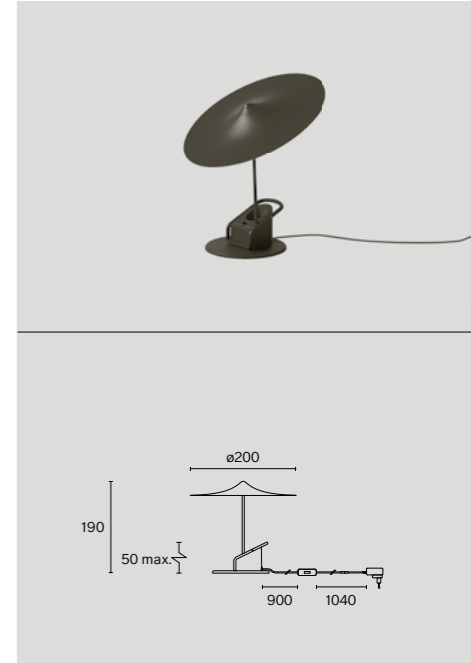
FLEXIBLE BY NATURE

Île is bright enough to work as a bedside reading light, yet just as happy playing a more decorative role. It can stand confidently on its flat base, be mounted on a wall, or of course be clamped onto shelves and edges – making it easy to add a dash of light and colour wherever needed.



PARED DOWN AND TECHED UP

While capturing the original clamp lamp's straightforward simplicity, Île features refined technical solutions to meet contemporary needs. A high-quality LED provides comfortable, warm white light, while the magnetic ball joint allows the shade to be tilted with smooth precision.



TECHNICAL INFORMATION

Material	Shade & Base: Aluminium
IP Rating	IP20
Protection Class	Class II

Light Source	COB LED
LED Lifetime	L80 / 50000 h
Colour Rendering Index	CRI ≥ 98
SDCM	3-step MacAdam
Replaceable light source by a professional	

More technical information online
wastberg.com/ile



ARTICLE SPECIFIC INFORMATION

Version	
Colour Temperature / Luminous Flux	2700 K / 104 lm
Voltage / Power	100–240 V / 7.2 W
Control	On/Off switch on cord
Weight	0.4 kg

Colours

Jet black	●	153M19005EU / 7330492007984
Traffic white	●	153M19016EU / 7330492007991
Grey brown	●	153M15010EU / 7330492006093
Light yellow	●	153M11020EU / 7330492006086
Petrol	●	153M16530EU / 7330492006109
Poppy red	●	153M10580EU / 7330492006062
Sky blue	●	153M10515EU / 7330492006079

ÎLE
 CLAMP
 W153

Table / Clamp	
2700 K / 104 lm	
100–240 V / 7.2 W	
On/Off switch on cord	
0.4 kg	

Art.No. / EAN Code

153M19005EU / 7330492007984
153M19016EU / 7330492007991
153M15010EU / 7330492006093
153M11020EU / 7330492006086
153M16530EU / 7330492006109
153M10580EU / 7330492006062
153M10515EU / 7330492006079

LAMPYRE

TABLE
W163



A PHANTOM OF LIGHT

Taking its name from the French word for glow-worm, Lampyre consists entirely of soft, inviting light behind white mouth-blown opal glass. Even at its brightest, it is a pleasure to look at; dimmed down, it is perhaps at its most beautiful, glowing phantom-like from base to top.

VERSION

TABLE







**FEATURES**

MOUTH-BLOWN GLASS
LIGHT SCULPTURE
SOFT, SOOTHING LIGHT
ATMOSPHERE, GENTLY SHAPED

**SOFT, SOOTHING LIGHT**

Diffused through the opal glass, Lampyre's light is gentle, even, and reassuring. Whether turned up or dimmed down, it creates a calm presence that never dazzles or distracts.

LIGHT SCULPTURE

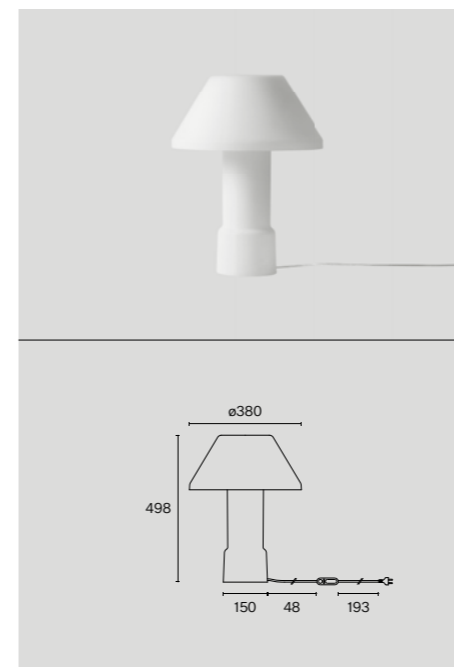
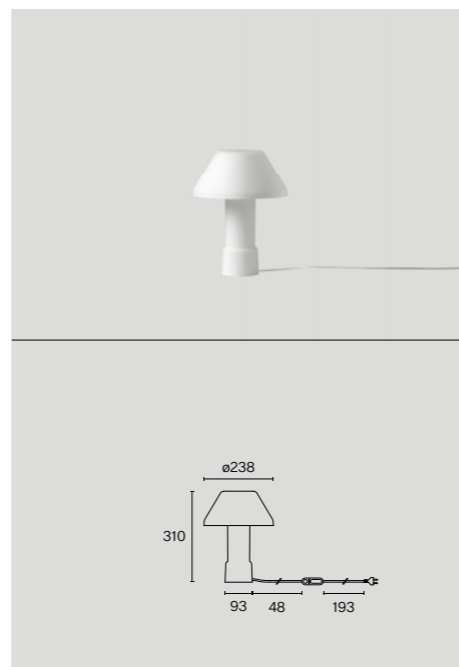
With its sculptural form and luminous presence, Lampyre naturally draws the eye. It can stand as a quiet focal point, a conversation piece, or simply a friendly companion as evening falls.

ATMOSPHERE, GENTLY SHAPED

More than illumination, Lampyre's soft, enveloping glow brings depth and atmosphere, quietly transforming the space around it.

MOUTH-BLOWN GLASS

Lampyre is formed from two elements – a base and a shade – both made of carefully mouth-blown matte opal glass. When lit, they merge into a single, seamless body of soft, dimmable light.

**TECHNICAL
INFORMATION**

Material	Lamp Body: Opal Glass
IP Rating	IP20
Protection Class	Class II

Light Source	E27
LED Lifetime	L70 / 25000 h
Colour Rendering Index	CRI ≥ 90
SDCM	5-step MacAdam
Replaceable light source by an end-user	

More technical information online
wastberg.com/lampyre

**ARTICLE SPECIFIC
INFORMATION**

Version	
Colour Temperature / Luminous Flux	
Voltage / Power	
Control	
Weight	

Colour	
White	<input type="radio"/>

**LAMPYRE
TABLE
W163T1**

Table / Standing
2200 K / 250 lm
220–240 V / 4.7 W
Dimmer switch on cord
1.6 kg

Art.No. / EAN Code
163T11022EU / 7330492016245

**LAMPYRE
TABLE
W163T2**

Table / Standing
2200 K / 427 lm
220–240 V / 6.6 W
Dimmer switch on cord
4.2 kg

Art.No. / EAN Code
163T21022EU / 7330492015484



THAMVIDEGÅRD

Bolle Tham and Martin Videgård founded their office in Stockholm in 1999. Since then, ThamVidegård has evolved with an innovative approach into a substantial practice with global reach. ThamVidegård has won several national and international awards, including Sweden's most prestigious title, the Kasper Salin Prize, on two occasions – for the Kalmar Museum of Art and the KTH School of Architecture in Stockholm. These projects join a diverse portfolio that spans educational buildings, modern art museums, housing, object design and the very influential Tree Hotel in Harads.

DESIGNS FOR W+

Alma (159)
Babel (169)

ALMAWALL
W171W

SCULPTURAL SHADOW PLAY

Inspired by the gentle curve of a sine wave, Alma's softly undulating forms create a subtle play of light and shadow. Discreet yet expressive, its sculptural presence adds depth and rhythm to a space without dominating it.

VERSIONS

CEILING
PENDANT
WALL









FEATURES

FROM SOLO TO FLOATING LANDSCAPE
CRAFTSMANSHIP
SLIM SILHOUETTE

FROM SOLO TO FLOATING LANDSCAPE

Suspended from the ceiling, Alma performs beautifully as a solitary light as well as in a group – or even as an entire floating landscape of light.



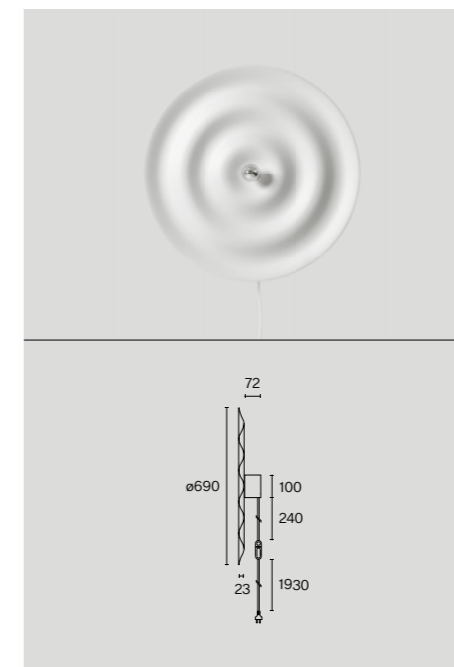
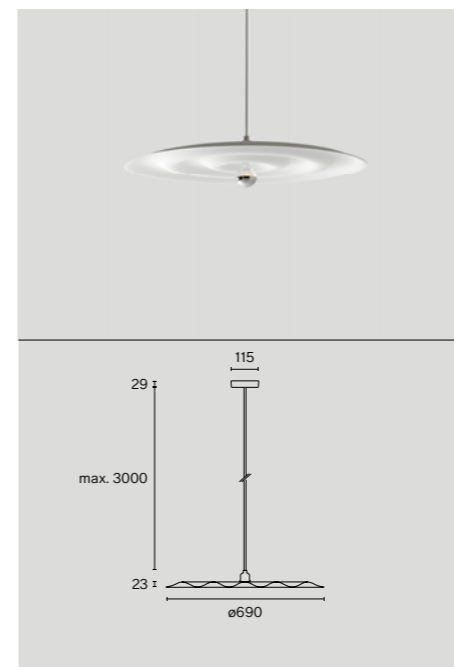
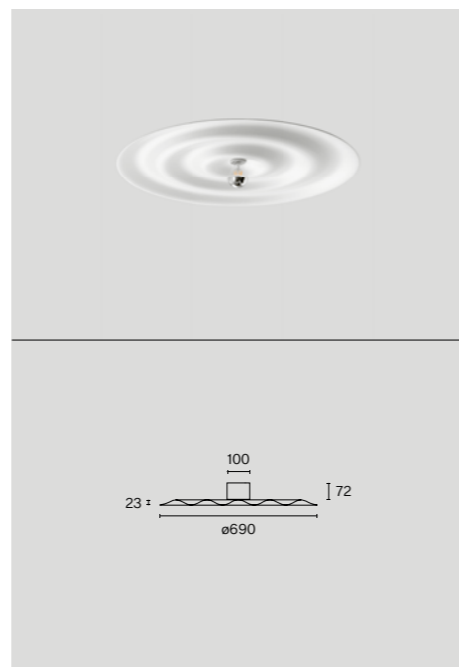
CRAFTSMANSHIP

Alma's smooth, wave-like surface is formed from carefully shaped aluminium, revealing a high level of craftsmanship behind its restrained expression. The satin matte finish highlights gentle shifts between light and shadow, making the lamp visually engaging even when not lit.



SLIM SILHOUETTE

With its slender proportions, Alma takes up little visual space, making it an ideal lighting solution for areas with low ceilings.

**TECHNICAL
INFORMATION**

Material	Shade: Aluminium
IP Rating	IP20
Protection Class	Class I

Light Source	E27
LED Lifetime	L70 / 15000 h
Colour Rendering Index	CRI ≥ 90
SDCM	5-step MacAdam
Replaceable light source by an end-user	

Accessories	p. 267
-------------	--------

**ARTICLE SPECIFIC
INFORMATION**

Version	
Colour Temperature / Luminous Flux	
Voltage / Power	
Control	
Weight	

Colour/Finish	
Raw aluminium	●
Signal white	●

**ALMA
CEILING
W171C**

Ceiling / Surface	
2700 K / 484 lm	
220–240 V / 7.0 W	
Phase-cut dim	
2.8 kg	

Art.No. / EAN Code	
171C12027 / 7330492001739	
171C10227 / 7330492007939	

**ALMA
SUSPENDED
W171S**

Ceiling / Suspended	
2700 K / 484 lm	
220–240 V / 7.0 W	
Phase-cut dim	
2.6 kg	

Art.No. / EAN Code	
171S12027 / 7330492001715	
171S10227 / 7330492007953	

**ALMA
WALL
W171W**

Wall / Surface	
2700 K / 484 lm	
220–240 V / 7.0 W	
Dimmer switch on cord	
2.8 kg	

Art.No. / EAN Code	
171W12027EU / 7330492001722	
171W10227EU / 7330492007977	

More technical information online
wastberg.com/alma



BABEL

SEMI-RECESSED
W264



LIGHT WITH SOMETHING TO SAY

Expressive without being loud, Babel combines playfulness with poise, its striking form giving it bold confidence and clear sense of direction. Available in two sizes, Babel can read as a quiet accent or a more pronounced statement – or, when used together, as a dynamic dialogue.

VERSION

CEILING





**COMFORTABLY DIRECTED LIGHT**

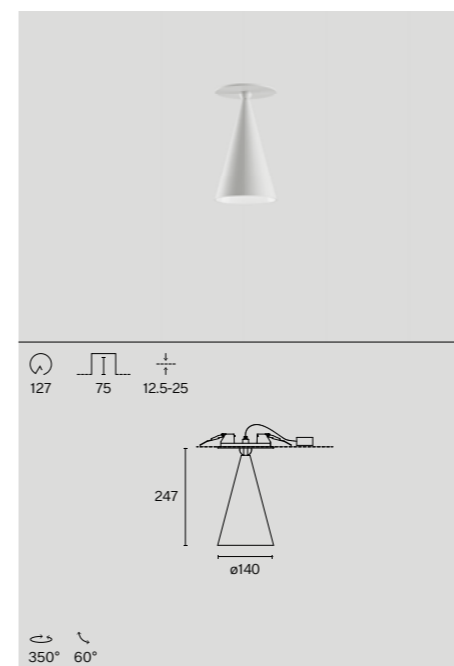
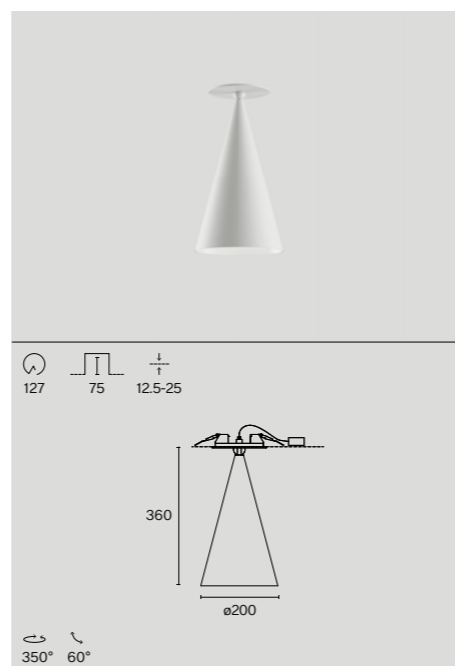
Babel provides rich, dimmable light with directional clarity and a comfortable, high-quality feel. A smooth hinge ball allows for accurate, effortless adjustment.

FEATURES

COMFORTABLY DIRECTED LIGHT
SCULPTURAL FORM

**SCULPTURAL FORM**

The distinctive, graphic cone shape gives Babel its character and presence, adding playful personality without losing its sense of refinement. Two sizes allow for interesting combinations and spatial variation.

**TECHNICAL
INFORMATION**

Material	Lamp Body: Aluminium
IP Rating	IP20
Protection Class	Class II

Light Source	COB LED
LED Lifetime	L80 / 50000 h
Colour Rendering Index	CRI ≥ 90
SDCM	3-step MacAdam
Replaceable light source by a professional	

More technical information online
wastberg.com/babel

**ARTICLE SPECIFIC
INFORMATION**

Version	
Colour Temperature / Luminous Flux	
Voltage / Power	
Beam Angle	
Control	
Weight	

2700 K

Signal white	DALI Push dim	<input type="radio"/>
Telegrey 4	DALI Push dim	<input checked="" type="radio"/>

Signal white	Phase-cut dim	<input type="radio"/>
Telegrey 4	Phase-cut dim	<input checked="" type="radio"/>

3000 K

Signal white	DALI Push dim	<input type="radio"/>
Telegrey 4	DALI Push dim	<input checked="" type="radio"/>

Signal white	Phase-cut dim	<input type="radio"/>
Telegrey 4	Phase-cut dim	<input checked="" type="radio"/>

BABEL**SEMI-RECESSED
W264R1**

Ceiling / Semi-recessed	
2700 K / 1240 lm	
3000 K / 1280 lm	
220–240 V / 10.0 W	
Narrow	
DALI Push dim / Phase-cut dim	
0.8 kg	

Art.No. / EAN Code

264R1227202 / 7330492021454

264R1227204 / 7330492021461

264R1127202 / 7330492021416

264R1127204 / 7330492021423

Art.No. / EAN Code

264R1230202 / 7330492021478

264R1230204 / 7330492021485

264R1130202 / 7330492021430

264R1130204 / 7330492021447

BABEL**SEMI-RECESSED
W264R2**

Ceiling / Semi-recessed	
2700 K / 1240 lm	
3000 K / 1280 lm	
220–240 V / 10.0 W	
Medium	
DALI Push dim / Phase-cut dim	
0.6 kg	

Art.No. / EAN Code

264R2227302 / 7330492021539

264R2227304 / 7330492021546

264R2127302 / 7330492021492

264R2127304 / 7330492021508

Art.No. / EAN Code

264R2230302 / 7330492021553

264R2230304 / 7330492021560

264R2130302 / 7330492021515

264R2130304 / 7330492021522



DIRK WINKEL

Dirk Winkel is a Berlin-based product designer. A graduate of the London Royal College of Art, he founded his design office in 2011, focusing on lighting and furniture. Driven by formal purism as a principle of sustainability, his work centres on rethinking light and lighting paradigms, and exploring new mass-production techniques, materials, and their environmental and design potential. He lectures regularly at UdK Berlin and is a guest professor at HBKsaar. His recognitions include the Swedish Design Award (Svensk Form), Designs of the Year (London Design Museum), and the German Design Award (Special Mention).

DESIGNS FOR W+

Alto (179)
Ion (199)
Linier (211)
Winkel (223)

ALTO

SUSPENDED
W164S1



VAST ILLUMINATION

Drawing on brutalist aesthetics and advanced engineering, Alto pairs strict, bold form with an amazing spread of soft, indirect illumination. The result: calm, atmospheric light that feels both powerful and composed.

VERSIONS

CEILING
WALL
FLOOR



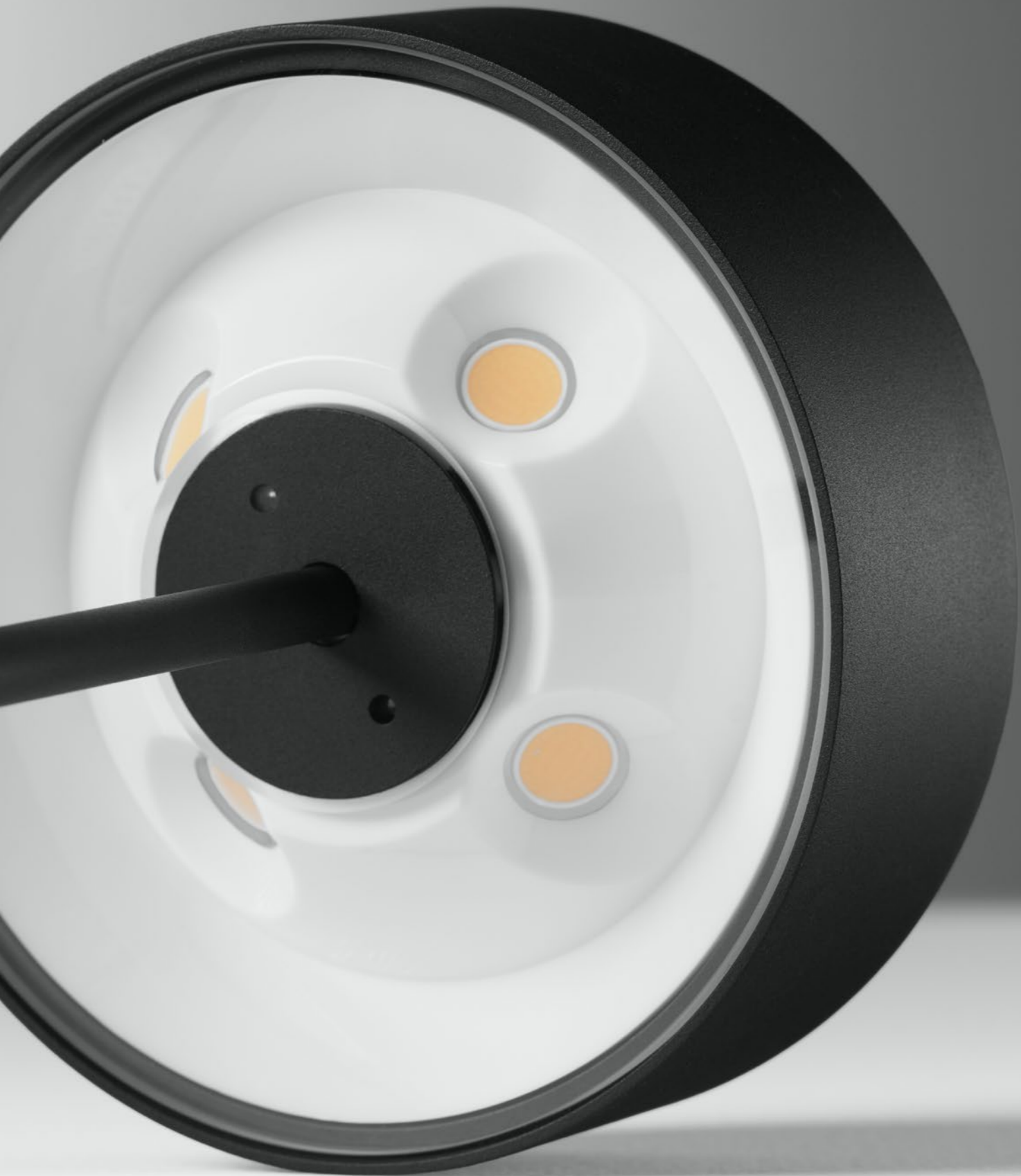




DON'T THINK
ABOUT WHAT
YOU HAVE DONE
THINK ABOUT WHAT
U WILL DO

IF U DON'T
HAVE HELP
IN THE END
U WILL BE
HELPING NO ONE



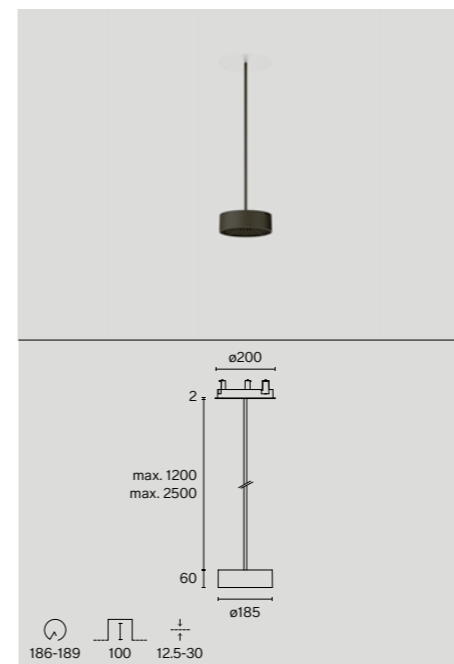
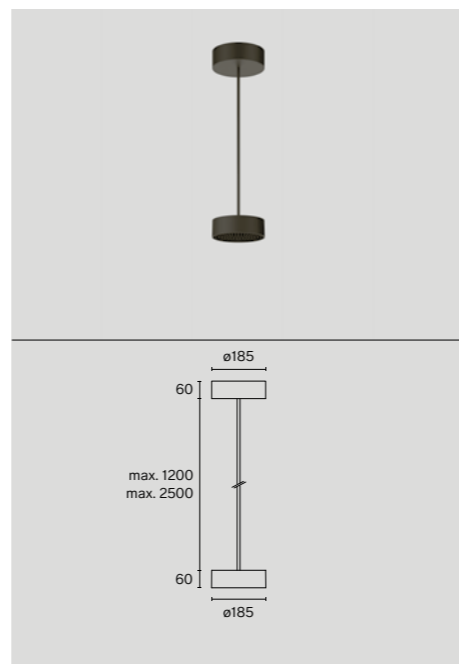


**FEATURES****SUPER-WIDE-ANGLE LIGHT**
HIGH VERSATILITY**HIGH VERSATILITY**

Across its different versions, Alto offers a range of light sweeps for both larger and smaller spaces, all the while drawing on the versatility of indirect light.

SUPER-WIDE-ANGLE LIGHT

Alto uses advanced, multidirectional LED technology to create an unusually even, super-wide-angle spread of indirect light. Bright enough to fill a room comfortably, it can also be dimmed to shift the atmosphere as needed.

**TECHNICAL
INFORMATION**

Material	Lamp Body, Canopy & Rod: Aluminium
IP Rating	IP20
Protection Class	Class I

Light Source	COB LED
LED Lifetime	L80 / 50000 h
Colour Rendering Index	CRI ≥ 90
SDCM	3-step MacAdam

Replaceable light source by a professional

Accessories p. 267

More technical information online
wastberg.com/alto

**ARTICLE SPECIFIC
INFORMATION**

Version	
Colour Temperature/ Luminous Flux	
Voltage / Power	
Control	
Weight	

2700 K

Jet black	1200 mm Rod length	●
Raw aluminium	1200 mm Rod length	●
Traffic white	1200 mm Rod length	●

Jet black	2500 mm Rod length	●
Raw aluminium	2500 mm Rod length	●
Traffic white	2500 mm Rod length	●

3000 K

Jet black	1200 mm Rod length	●
Raw aluminium	1200 mm Rod length	●
Traffic white	1200 mm Rod length	●

Jet black	2500 mm Rod length	●
Raw aluminium	2500 mm Rod length	●
Traffic white	2500 mm Rod length	●

**ALTO
SUSPENDED
W164S1**

Ceiling / Suspended	
2700 K / 11400 lm	
3000 K / 11900 lm	
220–240 V / 96 W	
DALI Push dim	
3 kg	

Art.No. / EAN Code

164S1105272 / 7330492002644
164S1120272 / 7330492010694
164S1102272 / 7330492002637

164S1205272 / 7330492002682
164S1220272 / 7330492010717
164S1202272 / 7330492002675

Art.No. / EAN Code

164S1105302 / 7330492002224
164S1120302 / 7330492010700
164S1102302 / 7330492002217

164S1205302 / 7330492002668
164S1220302 / 7330492010724
164S1202302 / 7330492002651

**ALTO
SUSPENDED
W164S1R**

Ceiling / Suspended	
2700 K / 11400 lm	
3000 K / 11900 lm	
220–240 V / 96 W	
DALI Push dim	
2.8 kg	

Art.No. / EAN Code

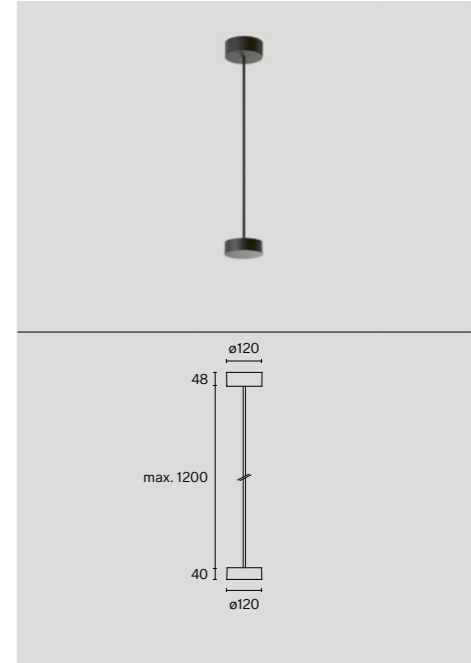
164S1R105272 / 7330492002705
164S1R120272 / 7330492002712
164S1R102272 / 7330492002699

164S1R205272 / 7330492002767
164S1R220272 / 7330492002774
164S1R202272 / 7330492002750

Art.No. / EAN Code

164S1R105302 / 7330492002736
164S1R120302 / 7330492002743
164S1R102302 / 7330492002729

164S1R205302 / 7330492002798
164S1R220302 / 7330492002804
164S1R202302 / 7330492002781



TECHNICAL INFORMATION

Material	Lamp Body, Canopy & Rod: Aluminium
IP Rating	IP20
Protection Class	Class I

Light Source	COB LED
LED Lifetime	L80 / 50000 h
Colour Rendering Index	CRI ≥ 90
SDCM	3-step MacAdam
Replaceable light source by a professional	

Accessories p. 267

More technical information online
wastberg.com/alto



ARTICLE SPECIFIC INFORMATION

Version	
Colour Temperature / Luminous Flux	
Voltage / Power	
Control	
Weight	

2700 K

Jet black	DALI Push dim	●
Raw aluminium	DALI Push dim	●
Traffic white	DALI Push dim	●

Jet black	Phase-cut dim	●
Raw aluminium	Phase-cut dim	●
Traffic white	Phase-cut dim	●

3000 K

Jet black	DALI Push dim	●
Raw aluminium	DALI Push dim	●
Traffic white	DALI Push dim	●

Jet black	Phase-cut dim	●
Raw aluminium	Phase-cut dim	●
Traffic white	Phase-cut dim	●

ALTO SUSPENDED W164S2

Ceiling / Suspended	
2700 K / 3990 lm	
3000 K / 4150 lm	
220-240 V / 37 W	
DALI Push dim / Phase-cut dim	
1.6 kg	

Art.No. / EAN Code

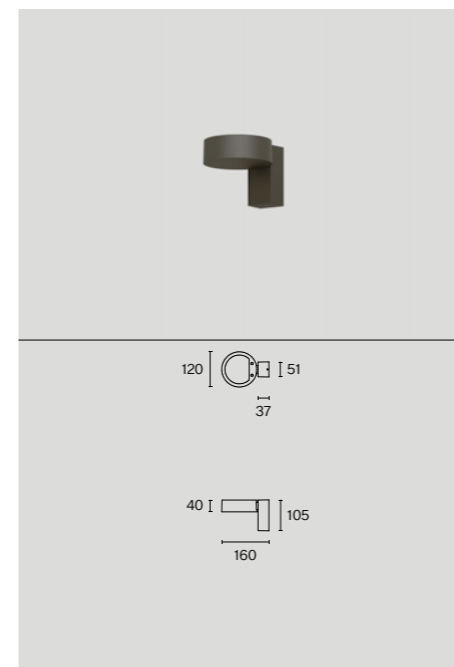
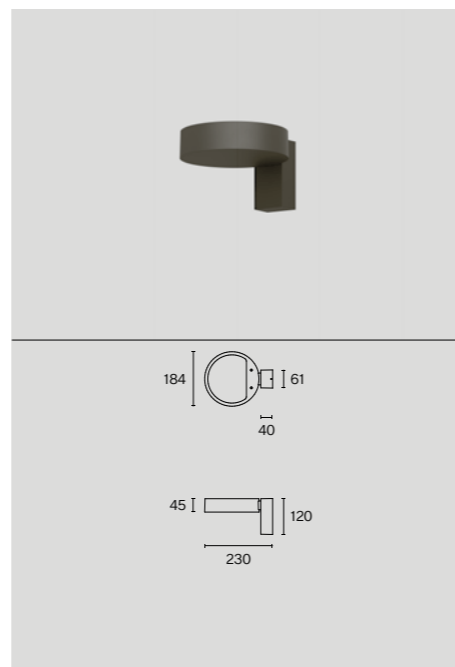
164S2105272 / 7330492015705
164S2120272 / 7330492015538
164S2102272 / 7330492015620

164S2105271 / 7330492015484
164S2120271 / 7330492015644
164S2102271 / 7330492015507

Art.No. / EAN Code

164S2105302 / 7330492015651
164S2120302 / 7330492015156
164S2102302 / 7330492015545

164S2105301 / 7330492015682
164S2120301 / 7330492015521
164S2102301 / 7330492015576

**TECHNICAL
INFORMATION**

Material	Lamp Body: Aluminium
IP Rating	IP20
Protection Class	Class I

Light Source	COB LED
LED Lifetime	L80 / 50000 h
Colour Rendering Index	CRI ≥ 90
SDCM	3-step MacAdam
Replaceable light source by a professional	

More technical information online
wastberg.com/alto

**ARTICLE SPECIFIC
INFORMATION**

Version	
Colour Temperature / Luminous Flux	
Voltage / Power	
Control	
Weight	

2700 K

Jet black	●
Raw aluminium	●
Traffic white	●

3000 K

Jet black	●
Raw aluminium	●
Traffic white	●

ALTO

WALL
W164W1

Wall / Surface	
2700 K / 4260 lm	
3000 K / 4420 lm	
220–240 V / 39 W	
DALI Push dim	
1.1 kg	

Art.No. / EAN Code

164W105274 / 7330492015118
164W120274 / 7330492014869
164W102274 / 7330492014937

Art.No. / EAN Code

164W105304 / 7330492014814
164W120304 / 7330492015101
164W102304 / 7330492015149

ALTO

WALL
W164W2

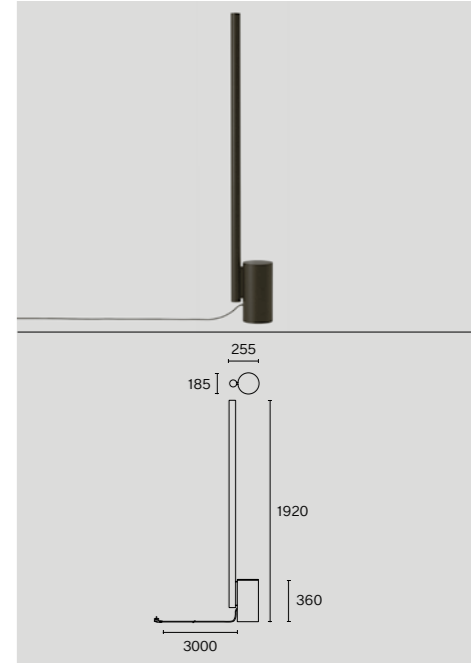
Wall / Surface	
2700 K / 2090 lm	
3000 K / 2170 lm	
220–240 V / 20.3 W	
DALI Push dim	
0.7 kg	

Art.No. / EAN Code

164W205274 / 7330492014920
164W220274 / 7330492014845
164W202274 / 7330492014906

Art.No. / EAN Code

164W205304 / 7330492014838
164W220304 / 7330492014852
164W202304 / 7330492015125



TECHNICAL INFORMATION

Material	Lamp Body: Aluminium
IP Rating	IP20
Protection Class	Class I

Light Source	COB LED
LED Lifetime	L80 / 50000 h
Colour Rendering Index	CRI ≥ 90
SDCM	3-step MacAdam
Replaceable light source by a professional	

More technical information online
wastberg.com/alto



ARTICLE SPECIFIC INFORMATION

Version	
Colour Temperature / Luminous Flux	
Voltage / Power	
Control	
Weight	

Colours

Jet black	●
Traffic white	●

ALTO FLOOR W164F

Floor / Standing	Floor / Standing
3000 K / 5090 lm	3000 K / 5090 lm
220–240 V / 50 W	220–240 V / 50 W
Integrated rotary dimmer	Integrated rotary dimmer
15.2 kg	15.2 kg

Art.No. / EAN Code

164F105EU / 7330492007601
164F102EU / 7330492007588

IONBASE
W225B**FLUID PRECISION**

Don't let Ion's delicate lines deceive you – behind its almost weightless appearance lie serious engineering and high-performance light. The clever friction joint allows for free 360° positioning with both accuracy and staying power, enabling smooth shifts between focused task lighting and more ambient use.

VERSIONS**TABLE**
WALL
FLOOR







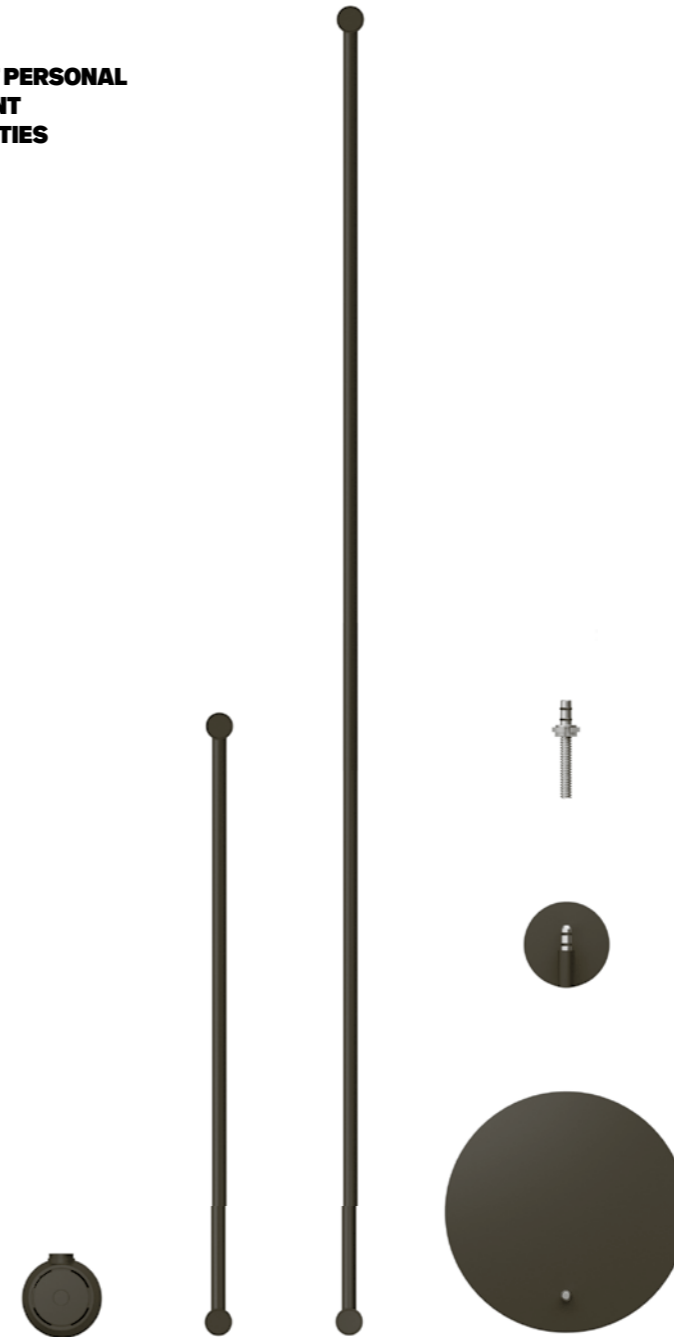
FEATURES

**PROFESSIONAL YET PERSONAL
CORDLESS 360° JOINT
ENDLESS POSSIBILITIES**



CORDLESS 360° JOINT

A key feature of Ion is its miniature friction joint – similar to those used in modern laptops, but with a much wider movement range of 360°. Solidly built with perfectly balanced resistance, it allows for fluid yet exact positioning at any angle – and then stays put, even after countless readjustments.

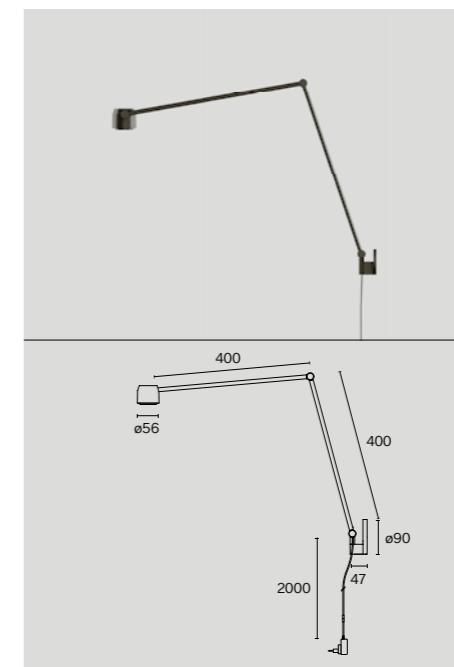
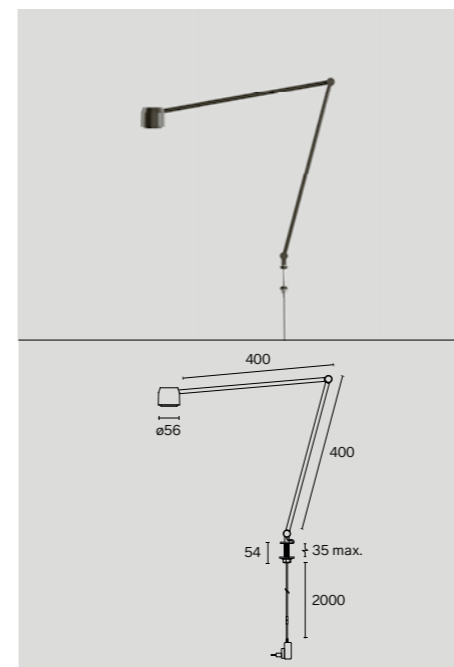
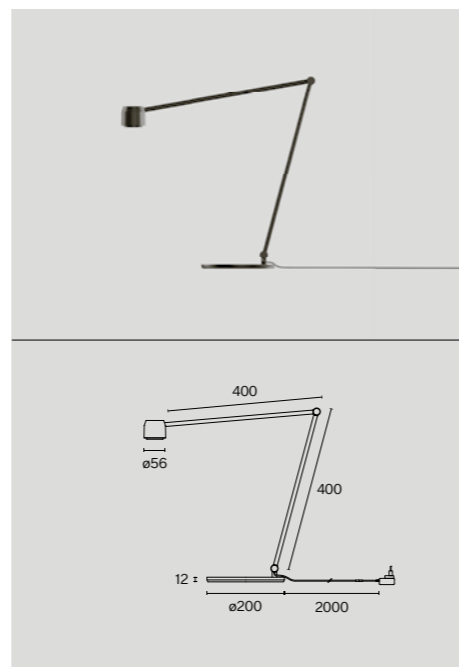


ENDLESS POSSIBILITIES

Ion combines different arm lengths, mounting options and beam angles to support a wide range of uses. From focused task lighting to more relaxed reading light, floor-mounted or wall-mounted, it adapts naturally to how and where it's used.

PROFESSIONAL YET PERSONAL

Designed to perform at a professional level, Ion also feels natural and comfortable in a home setting. Advanced LED technology and optics deliver rich, full-spectrum light with exceptional colour rendering, effective glare protection, and a choice of focused or wider beam angles.

**TECHNICAL
INFORMATION**

Material	Lamp Body: Aluminium
IP Rating	IP20
Protection Class	Class II

Light Source	COB LED
LED Lifetime	L80 / 50000 h
Colour Rendering Index	CRI ≥ 98
SDCM	3-step MacAdam
Replaceable light source by a professional	

Accessories p. 267

**ARTICLE SPECIFIC
INFORMATION**

Version	
Colour Temperature / Luminous Flux	
Voltage / Power	
Beam Angle	
Control	
Weight	

3000 K

Jet black	●
Raw aluminium	●
Traffic white	●

**ION
BASE
W225B2**

Table / Standing
3000 K / 526 lm
100–240 V / 8.3 W
Wide
Integrated dimmer switch
3.1 kg

Art.No. / EAN Code

225B20530WEU / 7330492017129
225B22030WEU / 7330492017167
225B20230WEU / 7330492017174

**ION
PIN
W225P2**

Table / Pin
3000 K / 526 lm
100–240 V / 8.3 W
Wide
Integrated dimmer switch
0.3 kg

Art.No. / EAN Code

225P20530WEU / 7330492017358
225P22030WEU / 7330492017334
225P20230WEU / 7330492017341

**ION
BRACKET LONG
W225BR2**

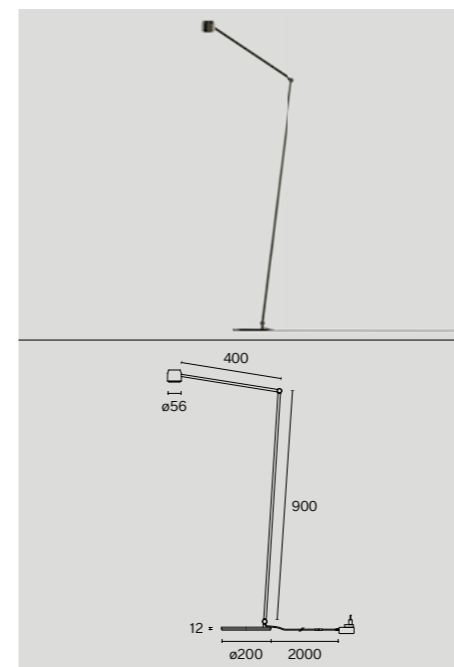
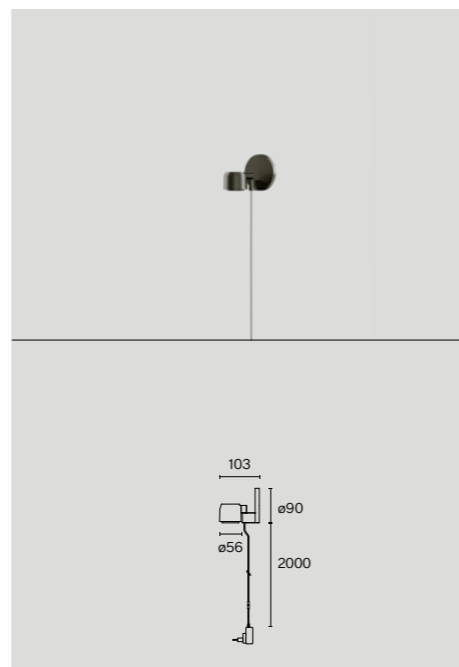
Wall / Surface
3000 K / 526 lm
100–240 V / 8.3 W
Wide
Integrated dimmer switch
0.4 kg

Art.No. / EAN Code

225BR20530WEU / 7330492017297
225BR22030WEU / 7330492017273
225BR20230WEU / 7330492017280

More technical information online
wastberg.com/ion



**TECHNICAL
INFORMATION**

Material	Lamp Body: Aluminium
IP Rating	IP20
Protection Class	Class II

Light Source	COB LED
LED Lifetime	L80 / 50000 h
Colour Rendering Index	CRI ≥ 98
SDCM	3-step MacAdam
Replaceable light source by a professional	

Accessories p. 267

More technical information online
wastberg.com/ion

**ARTICLE SPECIFIC
INFORMATION**

Version	
Colour Temperature / Luminous Flux	
Voltage / Power	
Beam Angle	
Control	
Weight	

2700 K

Jet black	●
Raw aluminium	●
Traffic white	●

3000 K

Jet black	●
Raw aluminium	●
Traffic white	●

ION**BRACKET
W225BR0**

Wall / Surface	
2700 K / 476 lm	
3000 K / 512 lm	
100–240 V / 8.3 W	
Narrow	
Integrated dimmer switch	
0.3 kg	

Art.No. / EAN Code

225BR00527NEU / 7330492000671
225BR02027NEU / 7330492011028
225BR00227NEU / 7330492000664

Art.No. / EAN Code

225BR00530NEU / 7330492000657
225BR02030NEU / 7330492011035
225BR00230NEU / 7330492000640

ION**FLOOR
W225F2**

Floor / Standing	
2700 K / 490 lm	
3000 K / 526 lm	
100–240 V / 8.3 W	
Narrow	
Integrated dimmer switch	
3.2 kg	

Art.No. / EAN Code

225F20527NEU / 7330492017181
225F20227NEU / 7330492017242

Art.No. / EAN Code

225F20530NEU / 7330492017198
225F20230NEU / 7330492017211

LINIER

SUSPENDED
W164S1

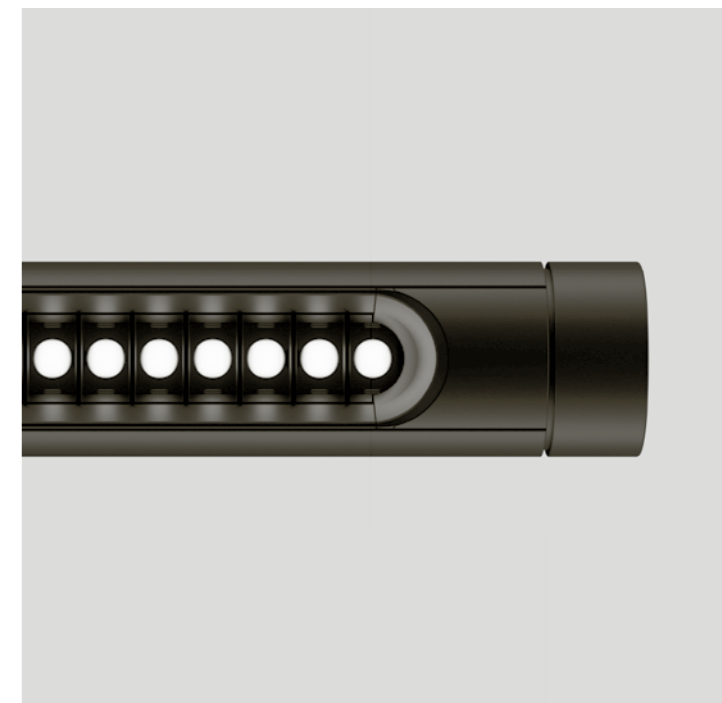


A LINEAR SPOTLIGHT

Defined by its strikingly slender form, Linier pairs strict minimalism with surprising performance and intuitive use. Carefully integrated optics deliver crisp, precisely directed light with zero glare – ideal for workspaces with high demands on quality, efficiency, and comfort.

VERSIONS

PENDANT
FLOOR









EFFICIENT PERFORMANCE

Concealed inside the body is a series of custom-developed microlenses, delivering sharp, focused light with powerful performance and efficacy.

FEATURES

EFFICIENT PERFORMANCE
IDEAL FOR WORKPLACES
INTUITIVE DIMMING
PRECISION ENGINEERING

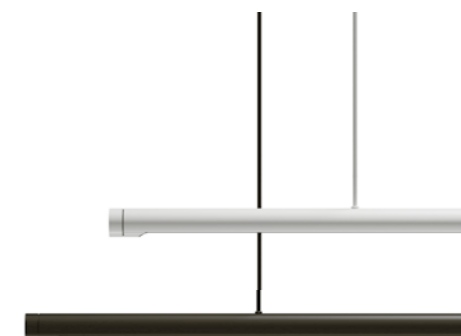
IDEAL FOR WORKPLACES

Meticulously designed louvres provide comfortable, glare-free lighting that meets the requirements for modern work environments.



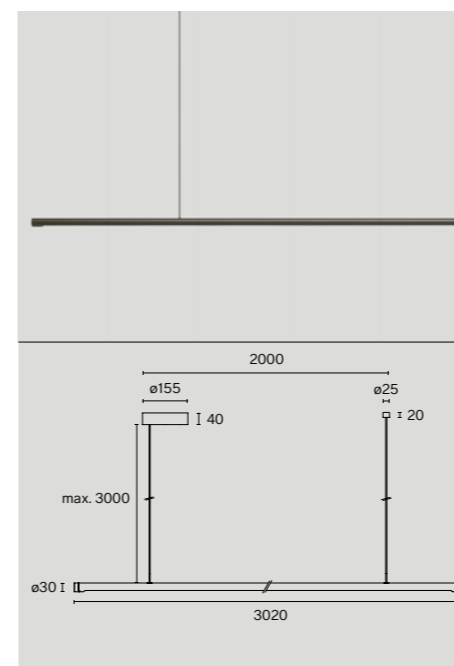
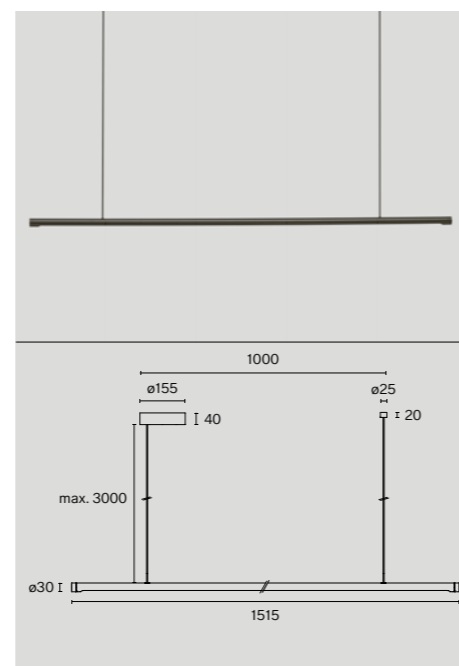
INTUITIVE DIMMING

Integrated dimming allows for direct, intuitive adjustment of light levels. The suspended versions feature a rotary dimming wheel built into the body, while the floor version uses two sliding dimmer switches on the vertical pole.



PRECISION ENGINEERING

Linier's sleek aluminium body is the result of extensive engineering, with close attention to proportions for optimal balance and stability.

**TECHNICAL
INFORMATION**

Material	Lamp Body: Aluminium
IP Rating	IP20
Protection Class	Class I

Light Source	LED
LED Lifetime	L80 / 50000 h
Colour Rendering Index	CRI ≥ 90
SDCM	3-step MacAdam
Replaceable light source by a professional	

More technical information online
wastberg.com/linier

**ARTICLE SPECIFIC
INFORMATION**

Version	
Colour Temperature / Luminous Flux	

Voltage / Power	
Control	
Weight	

2700 K

Jet black	Integrated rotary dimmer	●
Traffic white	Integrated rotary dimmer	●

3000 K

Jet black	DALI Push dim	●
Traffic white	DALI Push dim	●

Jet black	Integrated rotary dimmer	●
Traffic white	Integrated rotary dimmer	●

4000 K

Jet black	DALI Push dim	●
Traffic white	DALI Push dim	●

**LINIER
SUSPENDED
W181S1**

Ceiling / Suspended	
2700 K / 1990 lm	
3000 K / 2060 lm	
4000 K / 2130 lm	
220–240 V / 20.9 W	
DALI Push dim / Integrated rotary dimmer	
1.7 kg	

Art.No. / EAN Code

181S105273 / 7330492016399
181S102273 / 7330492016405

Art.No. / EAN Code

181S105302 / 7330492002088
181S102302 / 7330492002101

181S105303 / 7330492016412
181S102303 / 7330492016429

Art.No. / EAN Code

181S105402 / 7330492002095
181S102402 / 7330492002118

**LINIER
SUSPENDED
W181S2**

Ceiling / Suspended	
3000 K / 4120 lm	
4000 K / 4250 lm	
220–240 V / 42 W	
DALI Push dim	
2.7 kg	

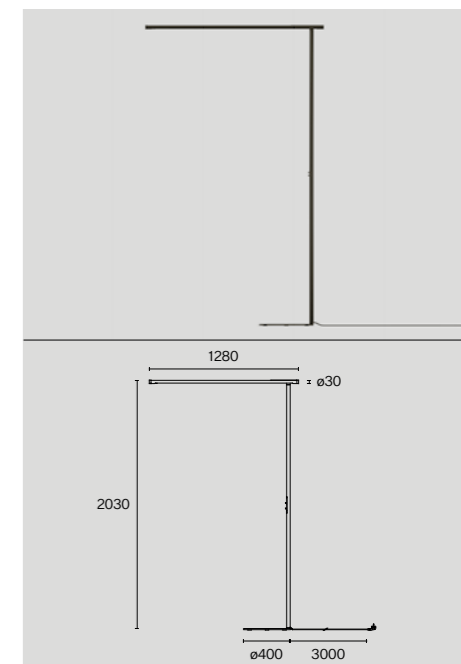
Art.No. / EAN Code

Art.No. / EAN Code

181S205302 / 7330492002125
181S202302 / 7330492002149

Art.No. / EAN Code

181S205402 / 7330492002132
181S202402 / 7330492002156



TECHNICAL INFORMATION

Material	Lamp Body: Aluminium
IP Rating	IP20
Protection Class	Class I

Light Source	LED
LED Lifetime	L80 / 50000 h
Colour Rendering Index	CRI ≥ 90
SDCM	3-step MacAdam
Replaceable light source by a professional	

More technical information online
wastberg.com/linier



ARTICLE SPECIFIC INFORMATION

Version	
Colour Temperature / Luminous Flux	

Voltage / Power	
Control	
Weight	

2700 K

Jet black	●
Traffic white	●

3000 K

Jet black	●
Traffic white	●

4000 K

Jet black	●
Traffic white	●

LINIER FLOOR W181F

Floor / Standing	Floor / Standing
2700 K / 6650 lm	2700 K / 6650 lm
3000 K / 6680 lm	3000 K / 6680 lm
4000 K / 6920 lm	4000 K / 6920 lm
220-240 V / 53 W	220-240 V / 53 W
Control	Integrated dimmer on pole
Weight	12.4 kg

Art.No. / EAN Code

181F132705EU / 7330492022499
181F132702EU / 7330492022475

Art.No. / EAN Code

181F133005EU / 7330492022536
181F133002EU / 7330492022512

Art.No. / EAN Code

181F134005EU / 7330492022574
181F134002EU / 7330492022550

WINKEL

BASE
W227B

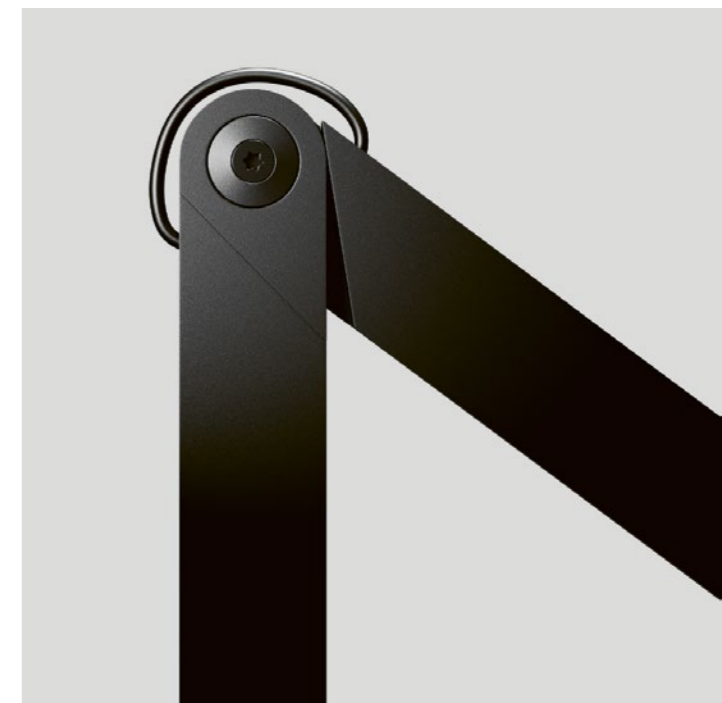


THE ULTIMATE TASK LIGHT

Originally designed to deliver the best possible task light, Winkel is now our flagship product – the result of years of development. This award-winner is a long-standing favourite among many architects, and with good reason. Winkel is a unity of parts, where every design choice serves a single purpose: to provide light that is nothing short of perfect.

VERSION

TABLE





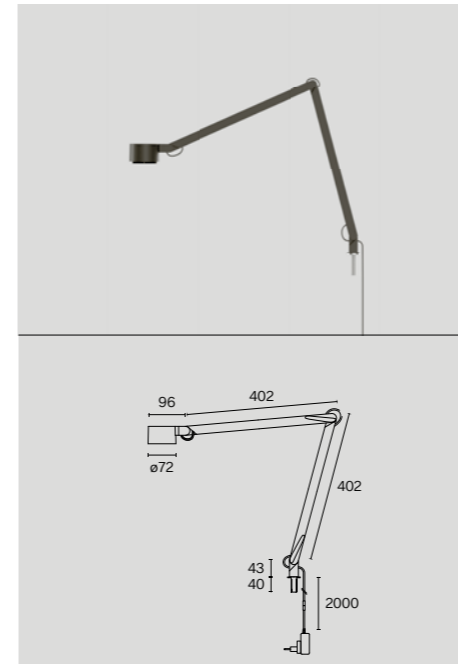
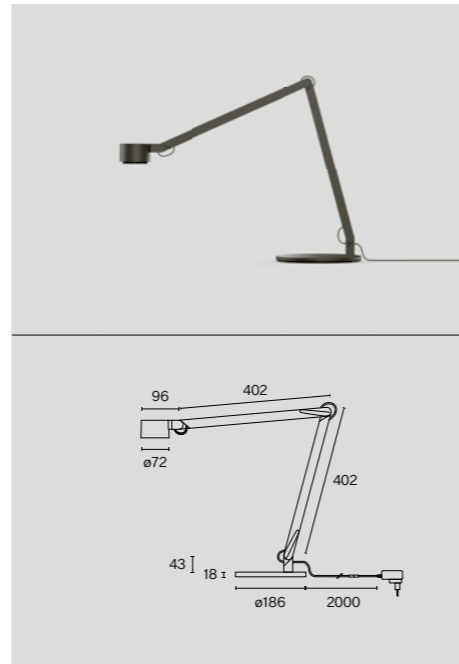


**FEATURES****LESS IS MORE
STATE-OF-THE-ART PERFORMANCE****LESS IS MORE**

Winkel's design is driven by a simple goal: to get more out of less. Slim aluminium arms and joints minimise material use while maximising flexibility, with concealed cables and springs contributing to a cleaner form and extended movement range.

**STATE-OF-THE-ART PERFORMANCE**

Winkel was created to redefine high-end task lighting – and in this, it truly excels. Innovative engineering and precision optics come together in an elegantly constructed system. The result is a generous sweep of exceptionally even, dimmable, high-quality illumination across a large working surface.

**TECHNICAL
INFORMATION**

Material	Lamp Body: Aluminium
IP Rating	IP20
Protection Class	Class II

Light Source	COB LED
LED Lifetime	L85 / 50000 h
Colour Rendering Index	CRI ≥ 98
SDCM	3-step MacAdam
Replaceable light source by a professional	

Accessories p. 267

**ARTICLE SPECIFIC
INFORMATION**

Version	
Colour Temperature / Luminous Flux	
Voltage / Power	
Control	
Weight	

Colours/Finish

Jet black	●
Raw aluminium	●
Traffic white	●

WINKEL

BASE
W227B

Table / Standing	
3000 K / 517 lm	
100–240 V / 8.8 W	
Integrated dimmer switch (timer 8h)	
4 kg	

Art.No. / EAN Code

227B20530EU / 7330492000718
227B22030EU / 7330492001692
227B20230EU / 7330492000701

WINKEL

PIN
W227P

Table / Pin	
3000 K / 517 lm	
100–240 V / 8.8 W	
Integrated dimmer switch (timer 8h)	
0.5 kg	

Art.No. / EAN Code

227P20530EU / 7330492000732
227P22030EU / 7330492001708
227P20230EU / 7330492000725

More technical information online
wastberg.com/winkel





FOSTER + PARTNERS INDUSTRIAL DESIGN

The art, craft, and science of making has been at the root of Foster + Partners Industrial Design for decades. Founded by Lord Foster, the studio develops and delivers ideas-led products at every scale – from tables to turbines – in close collaboration with global manufacturers, craftspeople, and startups.

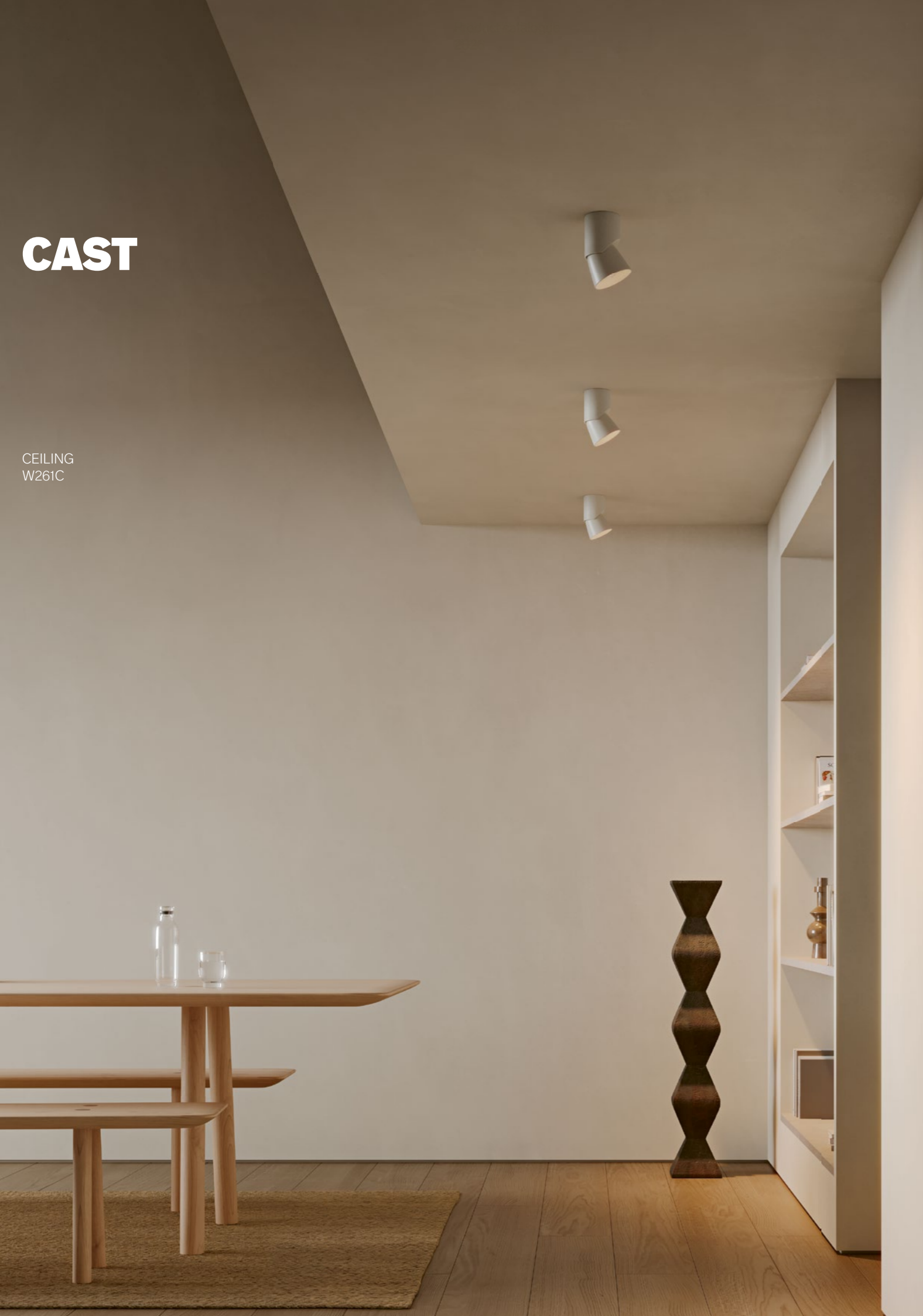
Driven by principles of sustainability, the studio combines rigorous research with a “design by making” ethos. Projects are advanced through prototyping and making as an iterative approach – refining designs through trial and error, digital modelling, and physical craftsmanship.

DESIGNS FOR W+

Cast (235)
V (253)

CAST

CEILING
W261C

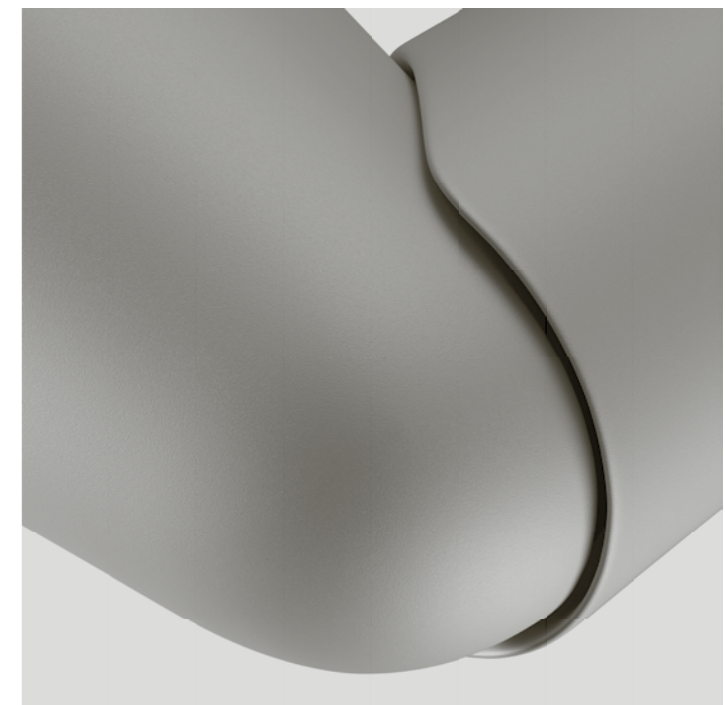


SOFT GEOMETRY

In a category shaped by hard lines and overtly technical expressions, Cast takes a subtler, more delicate approach to directional light. Inspired by traditional Japanese paper cups, the domed head – with its soft geometry, concealed mechanics, and fluid movement – offers a more human presence, without compromising clarity or performance.

VERSIONS

CEILING
TRACK
PENDANT

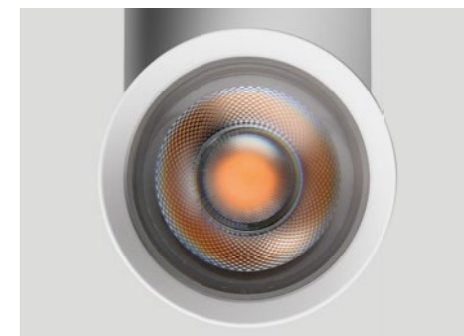






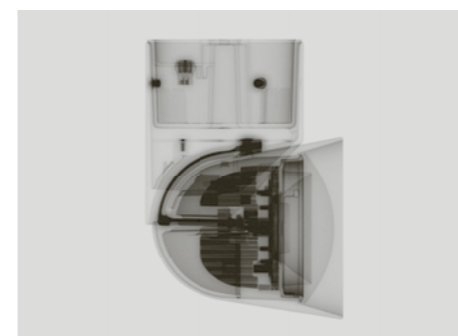
FEATURES

TEXTURE AND FINISH
CONCEALED MECHANICS
INTERCHANGEABLE LENS
FLEXIBLE APPLICATIONS



INTERCHANGEABLE LENS

Magnetic, interchangeable lenses allows for quick shifts between three beam angles – 15°, 36° and 56° – moving smoothly from a focused accent to a wider, more open spread. Its specially developed LED and lens system delivers high-quality light with precise distribution and reduced glare.



CONCEALED MECHANICS

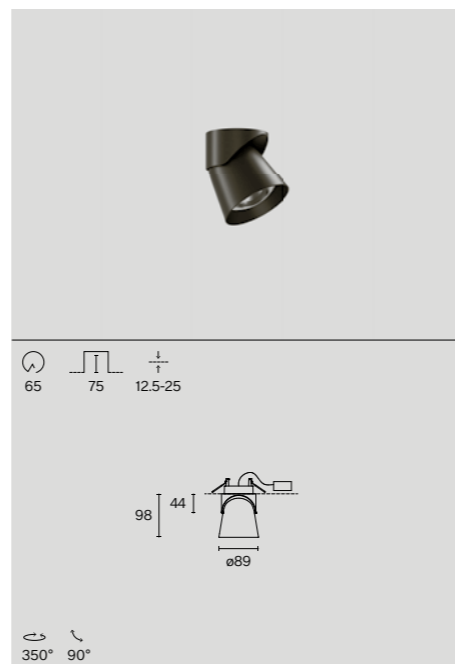
Cast is composed of two interlocking elements, with a concealed pivoting joint that enables smooth manual adjustment in a clean, uninterrupted form. This hidden joint contains all electrical connections and allows 360° of rotation and 90° of tilt.

FLEXIBLE APPLICATIONS

Across a range of formats and beam angles, Cast can be adapted to meet a wide variety of spatial and lighting requirements. While each format responds to a specific spatial need, all share the same adjustability, optical performance, and material expression – and are equally at home in both domestic spaces and commercial environments.

TEXTURE AND FINISH

Manufactured in cast aluminium, Cast is available in four finishes: anodised bronze, anodised black anthracite, tumbled raw aluminium, and white powder coated. The bronze and black version undergoes a vibration treatment prior to anodisation, creating a non-linear, subtly brushed texture with an organic depth and premium durability.

**TECHNICAL
INFORMATION**

Material	Lamp Body: Aluminium
IP Rating	IP20
Protection Class	Class II

Light Source	COB LED
LED Lifetime	L80 / 50000 h
Colour Rendering Index	CRI ≥ 90
SDCM	3-step MacAdam
Replaceable light source by a professional	

Accessories p. 267

More technical information online
wastberg.com/cast**ARTICLE SPECIFIC
INFORMATION**

Version	
Colour Temperature / Luminous Flux	
Voltage / Power	
Beam Angle	
Control	
Weight	

2700 K

Raw aluminium	DALI Push dim	●
Traffic white	DALI Push dim	●
Anthracite	DALI Push dim	●
Bronze	DALI Push dim	●

Raw aluminium	Phase-cut dim	●
Traffic white	Phase-cut dim	●
Anthracite	Phase-cut dim	●
Bronze	Phase-cut dim	●

3000 K

Raw aluminium	DALI Push dim	●
Traffic white	DALI Push dim	●
Anthracite	DALI Push dim	●
Bronze	DALI Push dim	●

Raw aluminium	Phase-cut dim	●
Traffic white	Phase-cut dim	●
Anthracite	Phase-cut dim	●
Bronze	Phase-cut dim	●

CASTSEMI-RECESSED
W261R

Ceiling / Semi recessed	
2700 K / 1240 lm	
3000 K / 1290 lm	
220-240 V / 10.0 W	
Narrow	
DALI Push dim / Phase-cut dim	
0.6 kg	

Art.No. / EAN Code

261R1227220 / 7330492018911
261R1227202 / 7330492018898
261R1227205 / 7330492018881
261R1227200 / 7330492018904

261R1127220 / 7330492018676
261R1127202 / 7330492018652
261R1127205 / 7330492018645
261R1127200 / 7330492018669

Art.No. / EAN Code

261R1230220 / 7330492019031
261R1230202 / 7330492019017
261R1230205 / 7330492019000
261R1230200 / 7330492019024

261R1130220 / 7330492018799
261R1130202 / 7330492018775
261R1130205 / 7330492018768
261R1130200 / 7330492018782

CASTSEMI-RECESSED
W261R

Ceiling / Semi recessed	
2700 K / 1240 lm	
3000 K / 1290 lm	
220-240 V / 10.0 W	
Medium	
DALI Push dim / Phase-cut dim	
0.6 kg	

Art.No. / EAN Code

261R1227320 / 7330492018959
261R1227302 / 7330492018935
261R1227305 / 7330492018928
261R1227300 / 7330492018942

261R1127320 / 7330492018713
261R1127302 / 7330492018690
261R1127305 / 7330492018683
261R1127300 / 7330492018706

Art.No. / EAN Code

261R1230320 / 7330492019079
261R1230302 / 7330492019055
261R1230305 / 7330492019048
261R1230300 / 7330492019062

261R1130320 / 7330492018836
261R1130302 / 7330492018812
261R1130305 / 7330492018805
261R1130300 / 7330492018829

CASTSEMI-RECESSED
W261R

Ceiling / Semi recessed	
2700 K / 1240 lm	
3000 K / 1290 lm	
220-240 V / 10.0 W	
Flood	
DALI Push dim / Phase-cut dim	
0.6 kg	

Art.No. / EAN Code

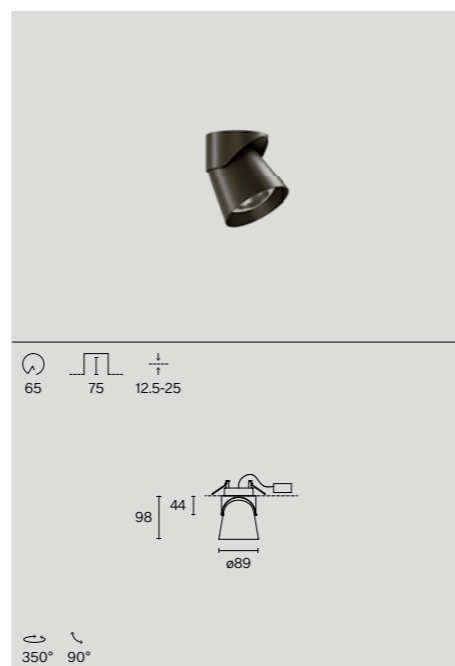
261R1227420 / 7330492018997
261R1227402 / 7330492018973
261R1227405 / 7330492018966
261R1227400 / 7330492018980

261R1127420 / 7330492018751
261R1127402 / 7330492018737
261R1127405 / 7330492018720
261R1127400 / 7330492018744

Art.No. / EAN Code

261R1230420 / 7330492019116
261R1230402 / 7330492019093
261R1230405 / 7330492019086
261R1230400 / 7330492019109

261R1130420 / 7330492018874
261R1130402 / 7330492018850
261R1130405 / 7330492018843
261R1130400 / 7330492018867

**TECHNICAL
INFORMATION**

Material	Lamp Body: Aluminium
IP Rating	IP20
Protection Class	Class II

Light Source	COB LED
LED Lifetime	L80 / 50000 h
Colour Rendering Index	CRI ≥ 90
SDCM	3-step MacAdam
Replaceable light source by a professional	

Accessories	p. 267
--------------------	--------

More technical information online
wastberg.com/cast

**ARTICLE SPECIFIC
INFORMATION**

Version	
Colour Temperature / Luminous Flux	
Voltage / Power	
Beam Angle	
Control	
Weight	

Tunable white

Raw aluminium	DALI TW	●
Traffic white	DALI TW	●
Anthracite	DALI TW	●
Bronze	DALI TW	●

CAST

SEMI-RECESSED
W261R

Ceiling / Semi recessed	
tunable white / 1150 lm	
220-240 V / 10.0 W	
Narrow	
DALI TW	
0.6 kg	

Art.No. / EAN Code

261R1290220 / 7330492019154
261R1290202 / 7330492019130
261R1290205 / 7330492019123
261R1290200 / 7330492019147

CAST

SEMI-RECESSED
W261R

Ceiling / Semi recessed	
tunable white / 1150 lm	
220-240 V / 10.0 W	
Medium	
DALI TW	
0.6 kg	

Art.No. / EAN Code

261R1290320 / 7330492019192
261R1290302 / 7330492019178
261R1290305 / 7330492019161
261R1290300 / 7330492019185

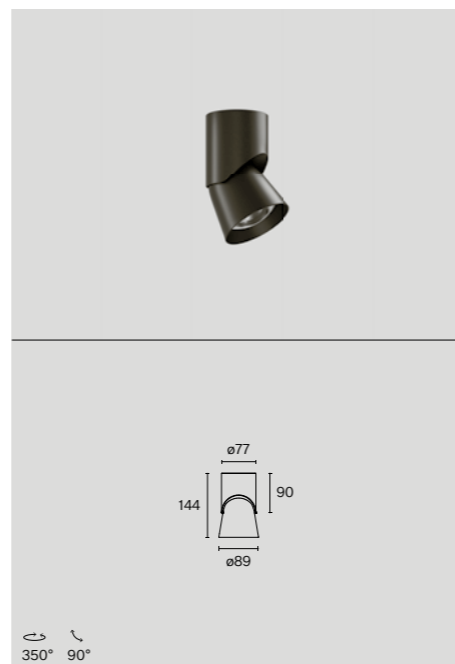
CAST

SEMI-RECESSED
W261R

Ceiling / Semi recessed	
tunable white / 1150 lm	
220-240 V / 10.0 W	
Flood	
DALI TW	
0.6 kg	

Art.No. / EAN Code

261R1290420 / 7330492019239
261R1290402 / 7330492019215
261R1290405 / 7330492019208
261R1290400 / 7330492019222

**TECHNICAL
INFORMATION**

Material	Lamp Body: Aluminium
IP Rating	IP20
Protection Class	Class II

Light Source	COB LED
LED Lifetime	L80 / 50000 h
Colour Rendering Index	CRI ≥ 90
SDCM	3-step MacAdam
Replaceable light source by a professional	

Accessories p. 267

More technical information online
wastberg.com/cast

**ARTICLE SPECIFIC
INFORMATION**

Version	
Colour Temperature / Luminous Flux	
Voltage / Power	
Beam Angle	
Control	
Weight	

2700 K

Raw aluminium	DALI Push dim	●
Traffic white	DALI Push dim	●
Anthracite	DALI Push dim	●
Bronze	DALI Push dim	●

Raw aluminium	Phase-cut dim	●
Traffic white	Phase-cut dim	●
Anthracite	Phase-cut dim	●
Bronze	Phase-cut dim	●

3000 K

Raw aluminium	DALI Push dim	●
Traffic white	DALI Push dim	●
Anthracite	DALI Push dim	●
Bronze	DALI Push dim	●

Raw aluminium	Phase-cut dim	●
Traffic white	Phase-cut dim	●
Anthracite	Phase-cut dim	●
Bronze	Phase-cut dim	●

**CAST
CEILING
W261C**

Ceiling / Surface	
2700 K / 1240 lm	
3000 K / 1290 lm	
220-240 V / 10.0 W	
Narrow	
DALI Push dim / Phase-cut dim	
0.7 kg	

Art.No. / EAN Code

261C1227220 / 7330492018430
261C1227202 / 7330492018416
261C1227205 / 7330492018409
261C1227200 / 7330492018423

261C1127220 / 7330492015781
261C1127202 / 7330492015804
261C1127205 / 7330492015811
261C1127200 / 7330492015798

Art.No. / EAN Code

261C1230220 / 7330492018553
261C1230202 / 7330492018539
261C1230205 / 7330492018522
261C1230200 / 7330492018546

261C1130220 / 7330492018317
261C1130202 / 7330492018294
261C1130205 / 7330492018287
261C1130200 / 7330492018300

**CAST
CEILING
W261C**

Ceiling / Surface	
2700 K / 1240 lm	
3000 K / 1290 lm	
220-240 V / 10.0 W	
Medium	
DALI Push dim / Phase-cut dim	
0.7 kg	

Art.No. / EAN Code

261C1227320 / 7330492018478
261C1227302 / 7330492018454
261C1227305 / 7330492018447
261C1227300 / 7330492018461

261C1127320 / 7330492015743
261C1127302 / 7330492015767
261C1127305 / 7330492015774
261C1127300 / 7330492015750

Art.No. / EAN Code

261C1230320 / 7330492018591
261C1230302 / 7330492018577
261C1230305 / 7330492018560
261C1230300 / 7330492018584

261C1130320 / 7330492018355
261C1130302 / 7330492018331
261C1130305 / 7330492018324
261C1130300 / 7330492018348

**CAST
CEILING
W261C**

Ceiling / Surface	
2700 K / 1240 lm	
3000 K / 1290 lm	
220-240 V / 10.0 W	
Flood	
DALI Push dim / Phase-cut dim	
0.7 kg	

Art.No. / EAN Code

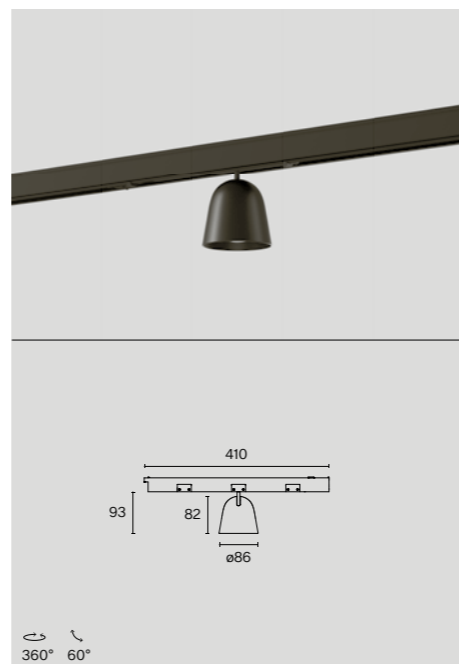
261C1227420 / 7330492018515
261C1227402 / 7330492018492
261C1227405 / 7330492018485
261C1227400 / 7330492018508

261C1127420 / 7330492018270
261C1127402 / 7330492018256
261C1127405 / 7330492015736
261C1127400 / 7330492018263

Art.No. / EAN Code

261C1230420 / 7330492018638
261C1230402 / 7330492018614
261C1230405 / 7330492018607
261C1230400 / 7330492018621

261C1130420 / 7330492018393
261C1130402 / 7330492018379
261C1130405 / 7330492018362
261C1130400 / 7330492018386

**TECHNICAL
INFORMATION**

Material	Lamp Body: Aluminium
IP Rating	IP20
Protection Class	Class II

Light Source	COB LED
LED Lifetime	L80 / 50000 h
Colour Rendering Index	CRI ≥ 90
SDCM	3-step MacAdam
Replaceable light source by a professional	

Accessories p. 267

More technical information online
wastberg.com/cast

**ARTICLE SPECIFIC
INFORMATION**

Version	
Colour Temperature / Luminous Flux	
Voltage / Power	
Beam Angle	
Control	
Weight	

2700 K

Raw aluminium	DALI Push dim	●
Traffic white	DALI Push dim	●
Anthracite	DALI Push dim	●
Bronze	DALI Push dim	●

3000 K

Raw aluminium	DALI Push dim	●
Traffic white	DALI Push dim	●
Anthracite	DALI Push dim	●
Bronze	DALI Push dim	●

**CAST
TRACK
W261TR**

Ceiling / Track	
2700 K / 1240 lm	
3000 K / 1290 lm	
Voltage / Power	220-240 V / 10.0 W
Narrow	
DALI Push dim	
0.5 kg	

Art.No. / EAN Code

261TR1227220 / 7330492019277
261TR1227202 / 7330492019253
261TR1227205 / 7330492019246
261TR1227200 / 7330492019260

Art.No. / EAN Code

261TR1230220 / 7330492019390
261TR1230202 / 7330492019376
261TR1230205 / 7330492019369
261TR1230200 / 7330492019383

**CAST
TRACK
W261TR**

Ceiling / Track	
2700 K / 1240 lm	
3000 K / 1290 lm	
Voltage / Power	220-240 V / 10.0 W
Medium	
DALI Push dim	
0.5 kg	

Art.No. / EAN Code

261TR1227320 / 7330492019314
261TR1227302 / 7330492019291
261TR1227305 / 7330492019284
261TR1227300 / 7330492019307

Art.No. / EAN Code

261TR1230320 / 7330492019437
261TR1230302 / 7330492019413
261TR1230305 / 7330492019406
261TR1230300 / 7330492019420

**CAST
TRACK
W261TR**

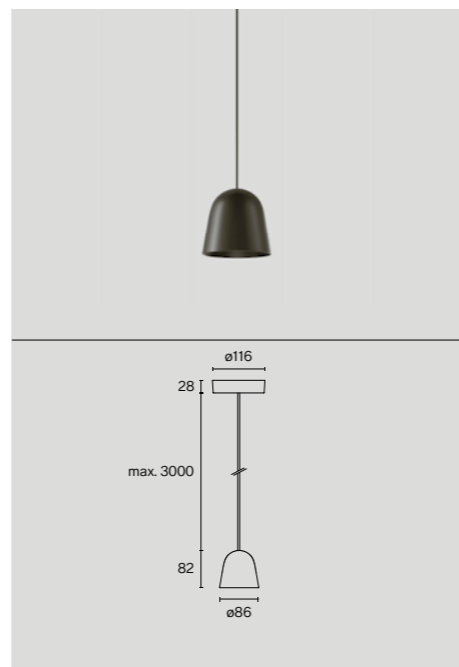
Ceiling / Track	
2700 K / 1240 lm	
3000 K / 1290 lm	
Voltage / Power	220-240 V / 10.0 W
Flood	
DALI Push dim	
0.5 kg	

Art.No. / EAN Code

261TR1227420 / 7330492019352
261TR1227402 / 7330492019338
261TR1227405 / 7330492019321
261TR1227400 / 7330492019345

Art.No. / EAN Code

261TR1230420 / 7330492019475
261TR1230402 / 7330492019451
261TR1230405 / 7330492019444
261TR1230400 / 7330492019468

**TECHNICAL
INFORMATION**

Material	Lamp Body: Aluminium
IP Rating	IP20
Protection Class	Class II

Light Source	COB LED
LED Lifetime	L80 / 50000 h
Colour Rendering Index	CRI ≥ 90
SDCM	3-step MacAdam
Replaceable light source by a professional	

Accessories

p. 267

More technical information online
wastberg.com/cast

**ARTICLE SPECIFIC
INFORMATION**

Version
Colour Temperature / Luminous Flux
Voltage / Power
Beam Angle
Control
Weight

2700 K

Raw aluminium	DALI Push dim	●
Traffic white	DALI Push dim	●
Anthracite	DALI Push dim	●
Bronze	DALI Push dim	●

Raw aluminium	Phase-cut dim	●
Traffic white	Phase-cut dim	●
Anthracite	Phase-cut dim	●
Bronze	Phase-cut dim	●

3000 K

Raw aluminium	DALI Push dim	●
Traffic white	DALI Push dim	●
Anthracite	DALI Push dim	●
Bronze	DALI Push dim	●

Raw aluminium	Phase-cut dim	●
Traffic white	Phase-cut dim	●
Anthracite	Phase-cut dim	●
Bronze	Phase-cut dim	●

**CAST
SUSPENDED
W261S**

Ceiling / Suspended
2700 K / 1240 lm
3000 K / 1290 lm
220-240 V / 10.0 W
Narrow
DALI Push dim / Phase-cut dim
0.5 kg

Art.No. / EAN Code

261S1227220 / 7330492019758
261S1227202 / 7330492019734
261S1227205 / 7330492019727
261S1227200 / 7330492019741

261S1127220 / 7330492019512
261S1127202 / 7330492019499
261S1127205 / 7330492019482
261S1127200 / 7330492019505

Art.No. / EAN Code

261S1230220 / 7330492019871
261S1230202 / 7330492019857
261S1230205 / 7330492019840
261S1230200 / 7330492019864

261S1130220 / 7330492019635
261S1130202 / 7330492019611
261S1130205 / 7330492019604
261S1130200 / 7330492019628

**CAST
SUSPENDED
W261S**

Ceiling / Suspended
2700 K / 1240 lm
3000 K / 1290 lm
220-240 V / 10.0 W
Medium
DALI Push dim / Phase-cut dim
0.5 kg

Art.No. / EAN Code

261S1227320 / 7330492019796
261S1227302 / 7330492019772
261S1227305 / 7330492019765
261S1227300 / 7330492019789

261S1127320 / 7330492019550
261S1127302 / 7330492019536
261S1127305 / 7330492019529
261S1127300 / 7330492019543

Art.No. / EAN Code

261S1230320 / 7330492019918
261S1230302 / 7330492019895
261S1230305 / 7330492019888
261S1230300 / 7330492019901

261S1130320 / 7330492019673
261S1130302 / 7330492019659
261S1130305 / 7330492019642
261S1130300 / 7330492019666

**CAST
SUSPENDED
W261S**

Ceiling / Suspended
2700 K / 1240 lm
3000 K / 1290 lm
220-240 V / 10.0 W
Flood
DALI Push dim / Phase-cut dim
0.5 kg

Art.No. / EAN Code

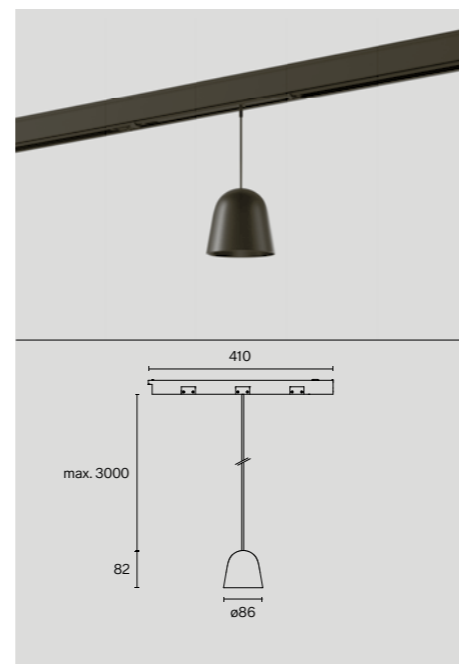
261S1227420 / 7330492019833
261S1227402 / 7330492019819
261S1227405 / 7330492019802
261S1227400 / 7330492019826

261S1127420 / 7330492019598
261S1127402 / 7330492019574
261S1127405 / 7330492019567
261S1127400 / 7330492019581

Art.No. / EAN Code

261S1230420 / 7330492019956
261S1230402 / 7330492019932
261S1230405 / 7330492019925
261S1230400 / 7330492019949

261S1130420 / 7330492019710
261S1130402 / 7330492019697
261S1130405 / 7330492019680
261S1130400 / 7330492019703

**TECHNICAL
INFORMATION**

Material	Lamp Body: Aluminium
IP Rating	IP20
Protection Class	Class II

Light Source	COB LED
LED Lifetime	L80 / 50000 h
Colour Rendering Index	CRI ≥ 90
SDCM	3-step MacAdam
Replaceable light source by a professional	

Accessories p. 267

More technical information online
wastberg.com/cast

**ARTICLE SPECIFIC
INFORMATION**

Version
Colour Temperature / Luminous Flux
Voltage / Power
Beam Angle
Control
Weight

2700 K

Raw aluminium	DALI Push dim	●
Traffic white	DALI Push dim	●
Anthracite	DALI Push dim	●
Bronze	DALI Push dim	●

3000 K

Raw aluminium	DALI Push dim	●
Traffic white	DALI Push dim	●
Anthracite	DALI Push dim	●
Bronze	DALI Push dim	●

**CAST
SUSPENDED TRACK
W261STR**

Ceiling / Track
2700 K / 1240 lm
3000 K / 1290 lm
220-240 V / 10.0 W
Narrow
DALI Push dim
0.6 kg

Art.No. / EAN Code

261STR1227220 / 7330492019994
261STR1227202 / 7330492019970
261STR1227205 / 7330492019963
261STR1227200 / 7330492019987

Art.No. / EAN Code

261STR1230220 / 7330492020112
261STR1230202 / 7330492020099
261STR1230205 / 7330492020082
261STR1230200 / 7330492020105

**CAST
SUSPENDED TRACK
W261STR**

Ceiling / Track
2700 K / 1240 lm
3000 K / 1290 lm
220-240 V / 10.0 W
Medium
DALI Push dim
0.6 kg

Art.No. / EAN Code

261STR1227320 / 7330492020037
261STR1227302 / 7330492020013
261STR1227305 / 7330492020006
261STR1227300 / 7330492020020

Art.No. / EAN Code

261STR1230320 / 7330492020150
261STR1230302 / 7330492020136
261STR1230305 / 7330492020129
261STR1230300 / 7330492020143

**CAST
SUSPENDED TRACK
W261STR**

Ceiling / Track
2700 K / 1240 lm
3000 K / 1290 lm
220-240 V / 10.0 W
Flood
DALI Push dim
0.6 kg

Art.No. / EAN Code

261STR1227420 / 7330492020075
261STR1227402 / 7330492020051
261STR1227405 / 7330492020044
261STR1227400 / 7330492020068

Art.No. / EAN Code

261STR1230420 / 7330492020198
261STR1230402 / 7330492020174
261STR1230405 / 7330492020167
261STR1230400 / 7330492020181

V

BASE
W263B3

EXTENDED LIGHT

V draws subtly on the classic banker's lamp – echoing its clear, angular expression, while reinterpreting it as contemporary and sculptural. Visually light and controlled, with a small footprint and fluid positioning, V supports comfort and focus in equal measure – whether used on a home desk, at a workstation, or in a library.

VERSIONS

TABLE
WALL









FEATURES

MAXIMUM FLEXIBILITY
ATTENTION TO DETAIL

FINISH
97 % POST-CONSUMER RECYCLED ALUMINIUM

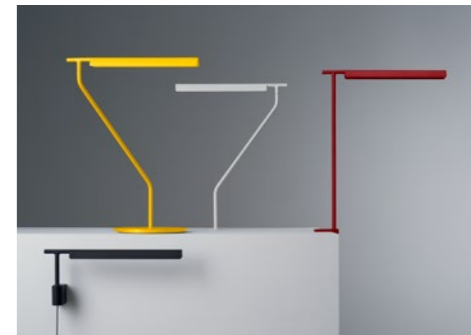
MAXIMUM FLEXIBILITY

V's slim design, natural movement, and variety of mounting options allow for easy adjustability for different tasks and situations. Its V-shaped shade is combined with a stem that can be vertical or angled, allowing up to 340 degrees of rotation.



ATTENTION TO DETAIL

V's geometry creates a wide, even spread of light across the working surface, improving illumination while controlling glare. A dimmer switch with a memory function is discreetly integrated into the back of the horizontal pole, and excess power cable can be neatly concealed in the underside of the base. The lamp's efficient composition allows for flat-pack transportation and ease of maintenance, with individual components designed to be replaced over time.

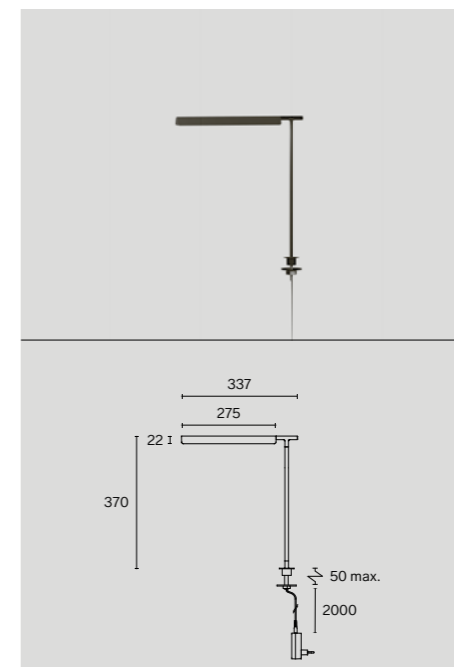
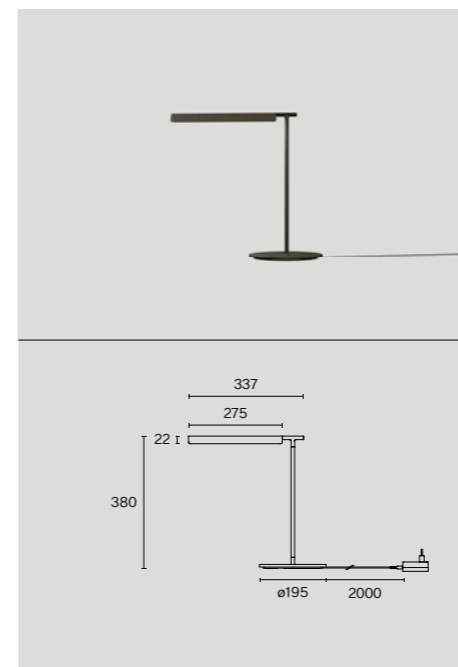
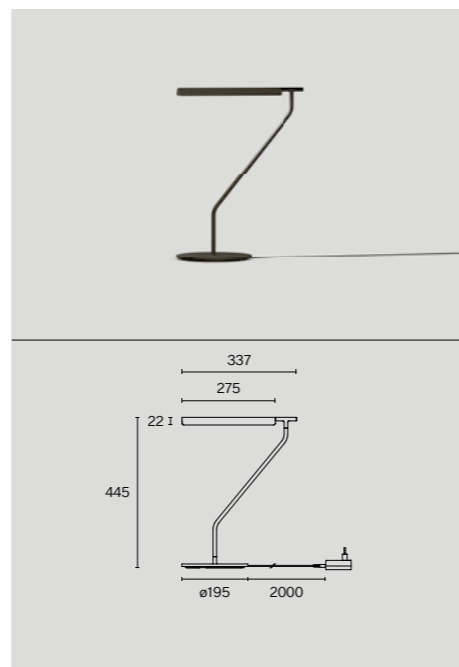


FINISH

V is available in a range of powder-coated finishes – including traffic white, graphite black, ruby red, and traffic yellow – as well as in wet-painted aluminium. Its sophisticated surface treatments and finishing processes help enhance durability and material integrity. The aluminium dimmer creates a subtle contrast in both material and texture.

97 % POST-CONSUMER RECYCLED ALUMINIUM

The aluminium used in V consists of 97 % post-consumer recycled material by weight – combining lightweight efficiency with a lower carbon footprint.

**TECHNICAL
INFORMATION**

Material	Lamp Body: Aluminium
IP Rating	IP20
Protection Class	Class II

Light Source	PCBA LED
LED Lifetime	L80 / 50000 h
Colour Rendering Index	CRI ≥ 90
SDCM	3-step MacAdam
Replaceable light source by a professional	

More technical information online
wastberg.com/v

**ARTICLE SPECIFIC
INFORMATION**

Version	
Colour Temperature / Luminous Flux	
Voltage / Power	
Control	
Weight	

2700 K

Graphite black	●
Traffic white	●
Aluminium	●
Ruby red	●
Traffic yellow	●

3000 K

Graphite black	●
Traffic white	●
Aluminium	●
Ruby red	●
Traffic yellow	●

**V
BASE
W263B3**

Table / Standing	
2700 K / 625 lm	
3000 K / 650 lm	
100-240 V / 9.0 W	
Integrated dimmer switch	
1.2 kg	

Art.No. / EAN Code

263B332705EU / 7330492020457
263B332702EU / 7330492020419
263B332720EU / 7330492020495
263B332703EU / 7330492020433
263B332708EU / 7330492020471

Art.No. / EAN Code

263B333005EU / 7330492020556
263B333002EU / 7330492020518
263B333020EU / 7330492020594
263B333003EU / 7330492020532
263B333008EU / 7330492020570

**V
BASE LINEAR
W263B2**

Table / Standing	
2700 K / 625 lm	
3000 K / 650 lm	
100-240 V / 9.0 W	
Integrated dimmer switch	
1.2 kg	

Art.No. / EAN Code

263B232705EU / 7330492020259
263B232702EU / 7330492020211
263B232720EU / 7330492020297
263B232703EU / 7330492020235
263B232708EU / 7330492020273

Art.No. / EAN Code

263B233005EU / 7330492020358
263B233002EU / 7330492020310
263B233020EU / 7330492020396
263B233003EU / 7330492020334
263B233008EU / 7330492020372

**V
PIN LINEAR
W263P2**

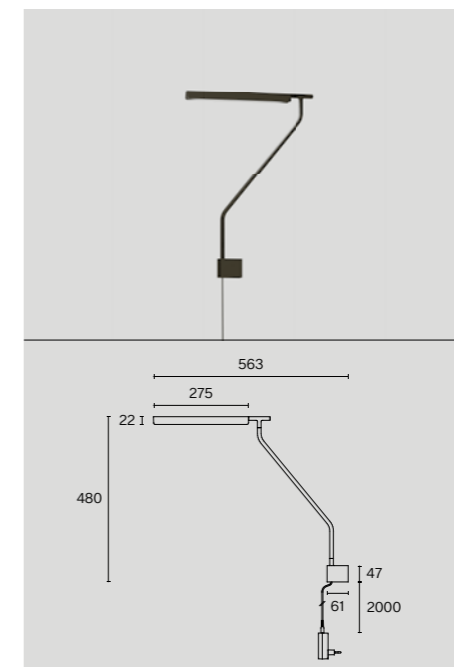
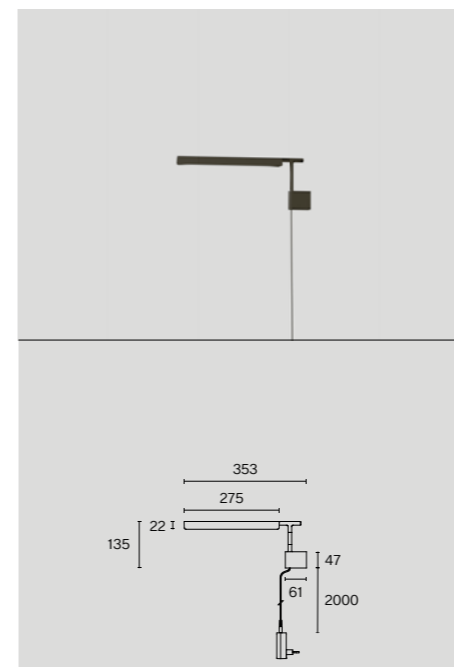
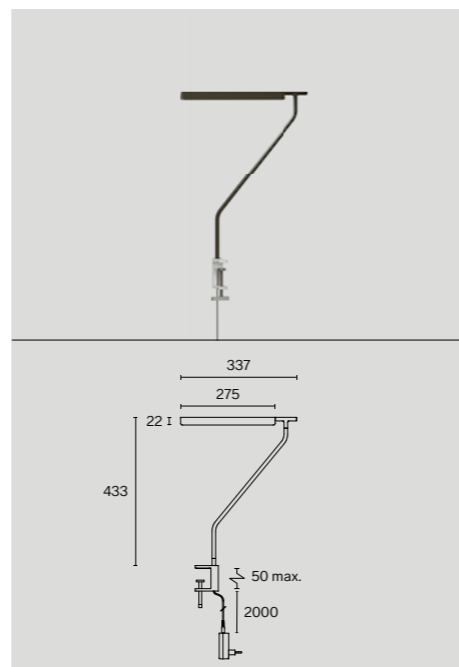
Table / Pin	
2700 K / 625 lm	
3000 K / 650 lm	
100-240 V / 9.0 W	
Integrated dimmer switch	
0.4 kg	

Art.No. / EAN Code

263P232705EU / 7330492021256
263P232702EU / 7330492021218
263P232720EU / 7330492021294
263P232703EU / 7330492021232
263P232708EU / 7330492021270

Art.No. / EAN Code

263P233005EU / 7330492021355
263P233002EU / 7330492021317
263P233020EU / 7330492021393
263P233003EU / 7330492021331
263P233008EU / 7330492021379

**TECHNICAL
INFORMATION**

Material	Lamp Body: Aluminium
IP Rating	IP20
Protection Class	Class II

Light Source	PCBA LED
LED Lifetime	L80 / 50000 h
Colour Rendering Index	CRI ≥ 90
SDCM	3-step MacAdam
Replaceable light source by a professional	

More technical information online
wastberg.com/v

**ARTICLE SPECIFIC
INFORMATION**

Version	
Colour Temperature / Luminous Flux	
Voltage / Power	
Control	
Weight	

2700 K

Graphite black	●
Traffic white	●
Aluminium	●
Ruby red	●
Traffic yellow	●

3000 K

Graphite black	●
Traffic white	●
Aluminium	●
Ruby red	●
Traffic yellow	●

**V
CLAMP
W263CL3**

Table / Clamp	
2700 K / 625 lm	
3000 K / 650 lm	
100-240 V / 9.0 W	
Integrated dimmer switch	
0.45 kg	

Art.No. / EAN Code

263CL332705EU / 7330492021058
263CL332702EU / 7330492021010
263CL332720EU / 7330492021096
263CL332703EU / 7330492021034
263CL332708EU / 7330492021072

Art.No. / EAN Code

263CL333005EU / 7330492021157
263CL333002EU / 7330492021119
263CL333020EU / 7330492021195
263CL333003EU / 7330492021133
263CL333008EU / 7330492021171

**V
BRACKET SHORT
W263BR1**

Wall / Surface	
2700 K / 625 lm	
3000 K / 650 lm	
100-240 V / 9.0 W	
Integrated dimmer switch	
0.3 kg	

Art.No. / EAN Code

263BR132705EU / 7330492020655
263BR132702EU / 7330492020617
263BR132720EU / 7330492020693
263BR132703EU / 7330492020631
263BR132708EU / 7330492020679

Art.No. / EAN Code

263BR133005EU / 7330492020754
263BR133002EU / 7330492020716
263BR133020EU / 7330492020792
263BR133003EU / 7330492020730
263BR133008EU / 7330492020778

**V
BRACKET
W263BR3**

Wall / Surface	
2700 K / 625 lm	
3000 K / 650 lm	
100-240 V / 9.0 W	
Integrated dimmer switch	
0.35 kg	

Art.No. / EAN Code

263BR332705EU / 7330492020853
263BR332702EU / 7330492020815
263BR332720EU / 7330492020891
263BR332703EU / 7330492020839
263BR332708EU / 7330492020877

Art.No. / EAN Code

263BR333005EU / 7330492020952
263BR333002EU / 7330492020914
263BR333020EU / 7330492020990
263BR333003EU / 7330492020938
263BR333008EU / 7330492020976

W+
ACCESSORIES
COLOURS AND FINISHES

COLLECTION	ACCESSORIES	ART.NO. / EAN CODE
FARO TABLE W241	Master dimming device (up to 25 lamps) USB-C charger USB-C charger hub (up to 10 lamps) USB-C cable 1.5m	REMOTE-001 / 7330492002170 CHARGER-001 / 7330492002187 HUB-001 / 7330492002200 CABLE-001 / 7330492002194
FOCAL SEMI-RECESSED W222R	Casambi module (only DALI Push dim)	DR-0601 / 7330492000510
FOCAL CEILING W222C	Ceiling installation cover plate Casambi module (only DALI Push dim)	222-JC02 / 7330492002507 DR-0601 / 7330492000510
FOCAL WALL W222W	Casambi module (only DALI Push dim)	DR-0601 / 7330492000510
FOCAL SUSPENDED W222S	1-phase track adapter white 1-phase track adapter black 3-phase track adapter white 3-phase track adapter black 3-phase track DALI adapter white 3-phase track DALI adapter black Casambi module (only DALI Push dim)	TRK-B100201 / 7330492022802 TRK-B100501 / 7330492022819 TRK-B300201 / 7330492022826 TRK-B300501 / 7330492022833 TRK-B320201 / 7330492022840 TRK-B320501 / 7330492022857 DR-0601 / 7330492000510
BELL SUSPENDED W131	1-phase track adapter white 1-phase track adapter black 3-phase track adapter white 3-phase track adapter black	TRK-B100201 / 7330492022802 TRK-B100501 / 7330492022819 TRK-B300201 / 7330492022826 TRK-B300501 / 7330492022833
CONE SUSPENDED W151M	1-phase track adapter white 1-phase track adapter black 3-phase track adapter white 3-phase track adapter black 3-phase track DALI adapter white 3-phase track DALI adapter black	TRK-B100201 / 7330492022802 TRK-B100501 / 7330492022819 TRK-B300201 / 7330492022826 TRK-B300501 / 7330492022833 TRK-B320201 / 7330492022840 TRK-B320501 / 7330492022857
DALSTON SUSPENDED W162	1-phase track adapter white 1-phase track adapter black 3-phase track adapter white 3-phase track adapter black	TRK-B100201 / 7330492022802 TRK-B100501 / 7330492022819 TRK-B300201 / 7330492022826 TRK-B300501 / 7330492022833

W+ ACCESSORIES

COLLECTION	ACCESSORIES	ART.NO. / EAN CODE
PASTILLE PIN W242P2	Adapter suitable for USM Haller table raw aluminium Adapter suitable for USM Haller table oxide red Adapter suitable for USM Haller table olive green Adapter suitable for USM Haller table traffic white Adapter suitable for USM Haller table jet black Adapter suitable for USM Haller table telegray 4 Adapter suitable for USM Haller shelf raw aluminium Adapter suitable for USM Haller shelf oxide red Adapter suitable for USM Haller shelf olive green Adapter suitable for USM Haller shelf traffic white Adapter suitable for USM Haller shelf jet black Adapter suitable for USM Haller shelf telegray 4 Adapter suitable for Vitra Joyn 2 / Tyde 2	ACC-MNT002 / 7330492022918 ACC-MNT003 / 7330492013060 ACC-MNT004 / 7330492013084 ACC-MNT005 / 7330492013107 ACC-MNT006 / 7330492013121 ACC-MNT007 / 7330492013145 ACC-MNT009 / 7330492022987 ACC-MNT010 / 7330492013077 ACC-MNT011 / 7330492013091 ACC-MNT012 / 7330492013114 ACC-MNT013 / 7330492013138 ACC-MNT014 / 7330492013152 ACC-MNT016 / 7330492023052
ALMA SUSPENDED W171S	1-phase track adapter white 1-phase track adapter black 3-phase track adapter white 3-phase track adapter black	TRK-B100201 / 7330492022802 TRK-B100501 / 7330492022819 TRK-B300201 / 7330492022826 TRK-B300501 / 7330492022833
ALTO SUSPENDED W164	Casambi module (only DALI Push dim)	DR-0601 / 7330492000510
ION W225	Optic Kit Narrow Optic Kit Wide	225-N01 / 7330492001913 225-W02 / 7330492000695
ION PIN W225P	Adapter suitable for USM Haller Table Adapter suitable for USM Haller Shelf Adapter suitable for Vitra Joyn 2 / Tyde 2	ACC-MNT001 / 7330492002002 ACC-MNT008 / 7330492002019 ACC-MNT015 / 7330492002026
WINKEL PIN W227P	Adapter suitable for USM Haller Table Adapter suitable for USM Haller Shelf Adapter suitable for Vitra Joyn 2 / Tyde 2	ACC-MNT001 / 7330492002002 ACC-MNT008 / 7330492002019 ACC-MNT015 / 7330492002026
CAST W261	Lens Narrow Lens Medium Lens Flood	261-OPT001 / 7330492017211 261-OPT002 / 7330492017204 261-OPT003 / 7330492017280
3-PHASE INTRACK ADAPTER	3-phase intrack adapter white 3-phase intrack adapter black 3-phase intrack DALI adapter white 3-phase intrack DALI adapter black	TRK-N300201 / 7330492022864 TRK-N300501 / 7330492022871 TRK-N320201 / 7330492022888 TRK-N320501 / 7330492022895

W+

COLOURS AND FINISHES

OPAL GLASS white
Halo, Lampyre

MARBLE
Pawson

ALUMINIUM/QUARTZITE
Lightbox

TRAFFIC WHITE RAL 9016
Alto, Bell, Cast, Cone, Focal, Île,
Ion, Linier, Pastille, V, Winkel

SIGNAL WHITE RAL 9003
Alma, Babel, Illumina

TELEGRAY 4 RAL 7047
Babel, Pastille

ALUMINIUM painted
Dalston, Pawson, V

ALUMINIUM raw
Alma, Cone

ALUMINIUM tumbled
Alto, Cast, Dalston, Faro,
Focal, Ion, Pastille, Winkel

BEIGE RAL 1001
Bell

PALE RED NCS S 1010-Y90R
Focal

GREY WHITE RAL 9002
Faro

ALUMINIUM brushed
Cone, Illumina

STAINLESS STEEL brushed
Chipperfield

COPPER nano-coated
Illumina

SILK GREY RAL 7044
Dalston

PALE GREEN NCS S 2005-B50G
Focal

SKY BLUE NCS S-0515R90B
Île

BRASS brushed
Chipperfield

BRASS/DARK STEEL
brushed/ plated
Chipperfield

BRONZE vibration anodized
Cast

PALE BLUE NCS S 1010-R90B
Focal

SILVER GREY similar to RAL 9006
Bell

SAPPHIRE BLUE RAL 5003
Bell

DARK STEEL plated
Chipperfield

ANTHRACITE
vibration anodized
Cast

PETROL NCS S-6530 B30G
Île

TRAFFIC GREEN RAL 6024
Faro

GRASS GREEN RAL 6010
Bell

OLIVE GREEN RAL 6003
Dalston, Pastille

LIGHT YELLOW NCS S-1020 G80Y
Île

ZINK YELLOW RAL 1018
Bell

TRAFFIC YELLOW RAL 1023
V

PURE ORANGE RAL 2004
Bell

POPPY RED NCS S-0580 Y80R
Île

PURE RED RAL 3028
Faro

TRAFFIC RED RAL 3020
Bell

RED ORANGE RAL 2001
Cone

RUBY RED RAL 3003
V

CARMINE RED RAL 3002
Cone

PURPLE RED RAL 3004
Cone

OXIDE RED RAL 3009
Pastille

GREY BROWN NCS S-5010 Y90R
Île

NUT BROWN RAL 8011
Dalston

SEPIA BROWN RAL 8014
Bell

CHOCOLATE BROWN RAL 8017
Faro

GRAPHITE BLACK RAL 9011
Dalston, V

BLACK GREY RAL 7012
Faro

JET BLACK RAL 9005
Alto, Bell, Cone, Focal, Île,
Ion, Linier, Pastille, Winkel

PHOTOGRAPHY

Aaron Hargreaves/Foster + Partners (p. 232), Andy Liffner (p. 64, 67, 139-141, 158, 163, 210), Claire Lavabre (p. 134), Erik Lefvander (p. 151), Erik Undéhn (p. 40, 83, 136, 146, 188), Gerhardt Kellerman (p. 52-53, 58-59, 78), Gilbert McCarragher (p. 91-95, 114, 124, 127-129), Henrik Nielsen (p. 156), Johan Kalén (product images, p. 19, 24, 107, 110, 116-121, 173, 182-183, 186-187, 189, 192, 252-253, 254-259), Jonas Bjerre-Poulsen/Norm Architects (p. 12), Khoo Guojie/Farm Work and Gabriel Tan Studio (p. 161), Knut Koivisto (p. 50), Leslie Williamson (p. 102), Lino Collecte (p. 36), Louis De Belle (p. 196), Malin Fränberg (p. 65), Markus Linderöth (p. 66, 68, 80, 84-85, 104, 106, 138, 202-203, 224), Martin Wichardt (p. 54-57), Mayuko Takyu/studio x (p. 150), Michael Pham (p. 131), Mikael Olsson (p. 108), Monica Steffensen (p. 126), Patrick Lindell (p. 184-185), Rasmus Dengsø/Aspekt Office (p. 69), Robert Rieger (p. 6), Sandie Lykke Nolsøe/Norm Architects (p. 144), Simon Menges (p. 8, 10-11, 13, 18, 20-23, 28, 30-31, 42-45, 82, 109, 148-149, 178, 180-181, 198, 200-201, 212-215, 220, 222, 225-227), Studio Sempix/Inga Sempé (p. 143), Sunday & White Studio (p. 162), Takumi Ota (p. 60), Visualization/Förstberg Ling (p. 32-35), Visualization/Genera studio (p. 235, 238-239), Visualization/SPECTRUM VIS LIMITED (p. 168, 170-171, 234, 236-237), Zenia Kirkegaard/Kiosk48th (p. 26)

LEGAL NOTES

All prices are non-binding recommended prices excluding VAT; lamps (bulbs) are not included. The prices and terms of payment stated in our order confirmation shall apply. Applicable value added taxes will be added to all prices and all additional costs as required by law. The prices stated shall apply net ex works. Should our costs increase by the time of delivery, the prices can be recalculated on a pro rata basis. Information on availability as well as delivery terms and dates are provided as a point of reference only and are not binding. Please note: The printed prices reflect the pricing at the time of catalogue publication. For the most up-to-date pricing, please refer to our website. We expressly reserve the right to make changes in price, measurements and design. The details provided in this catalogue were correct at the time of publication. They do not constitute any kind of obligation on our part and are for information only. We shall not be held liable for any discrepancies between the illustrations or descriptions given and the actual product neither for any misprints and/or typing errors. We reserve the right to make alterations or modifications to our products at any time. All mentioned RAL and NCS codes are indicative and approximative. We shall not be held liable for any discrepancies which may occur. All mentioned wattage, lumen, beam angles, lifetime and SDCM values refer to white luminaires (in terms of finishing, covers or housings) in 3000K. Further values on request. The general terms and conditions of Wastberg AB shall apply to all purchases and orders. The applicable version of the general terms and conditions can be viewed at wastberg.com/terms-and-conditions. In case of any discrepancies or inconsistencies between language versions of this catalogue, the English version shall prevail.

Wastberg AB
Box 5085
200 71 Malmö
Sweden

P +46 10 16 15 010
info@wastberg.com
wastberg.com

