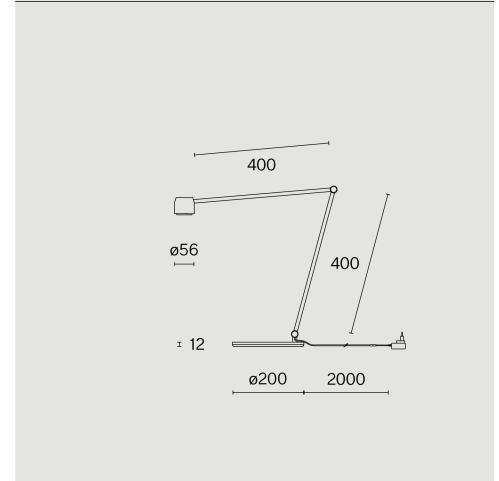
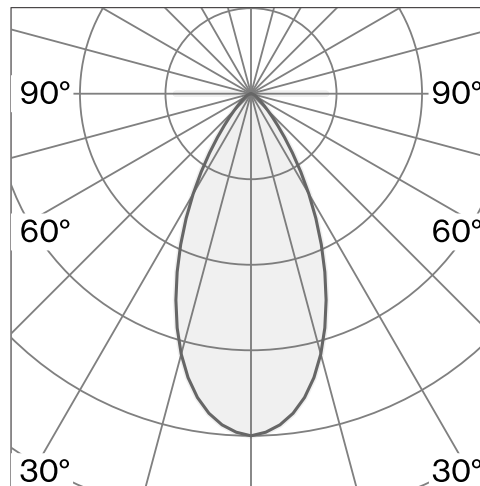
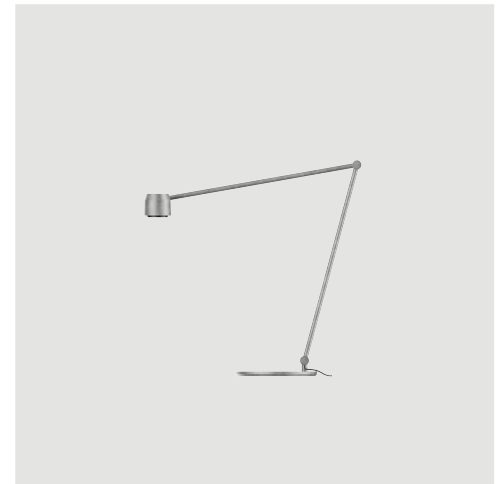


Free standing table luminaire made from aluminium; surface raw aluminium; acrylic diffuser and polyamide reflector & glare shade; with COB (Chip on Board) technology for maximum efficiency; integrated dimmer switch; light colour 3000 K; ≤ 3 SDCM (initial MacAdam); CRI ≥ 98 ; degree of protection IP20; Class 2; incl. cable 2000mm and plug; light source replaceable by Wastberg+ or by a professional with explicit authorization; control gear replaceable by end-user;



TECHNICAL INFORMATION

Physical	
Material	Lamp Body: Aluminium
IP Rating	IP20
Safety Class	Class II

LED	
Colour Rendering Index	CRI ≥ 98
Lumen Maintenance	L80 / 50000h
Macadam Ellipse	≤ 3 SDCM (initial MacAdam)

More technical information online

wastberg.com/en/products/ion-base-w225b2



ARTICLE-SPECIFIC INFORMATION

Mounting
Luminous Flux
Colour Temperature
Optic
Control
Voltage
Power
Weight

Colour / Finish
Raw aluminium

ION BASE W225B2

Table
526 lm
3000 K
Wide
Integrated dimmer switch
100 - 240 V
8.3 W
3.1 kg

Art. No. / EAN code
225B22030W / 7330492017136