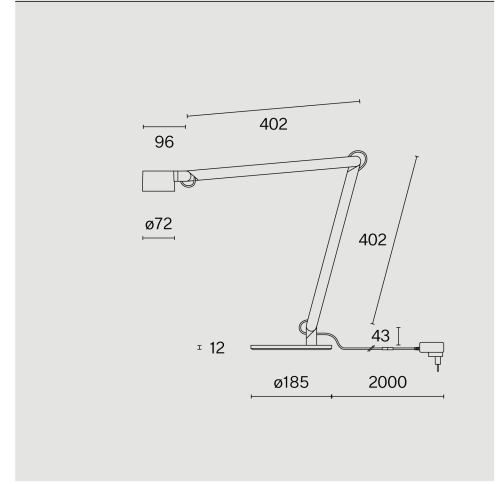
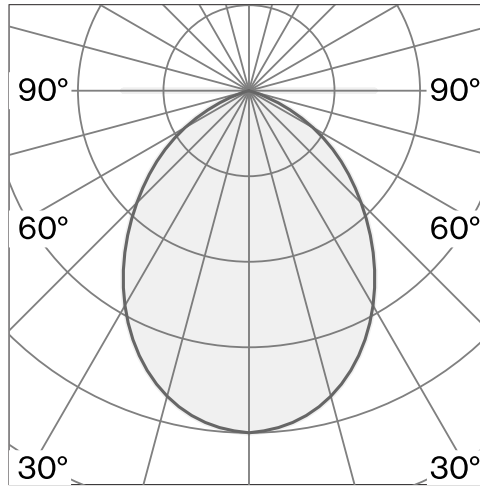


Free standing table luminaire made from aluminium; surface raw aluminium; acrylic diffuser and polyamide reflector & glare shade; with COB (Chip on Board) technology for maximum efficiency; integrated dimmer switch (timer 8h); light colour 3000 K; ≤ 3 SDCM (initial MacAdam); CRI ≥ 98 ; degree of protection IP20; Class 2; incl. cable 2000mm and plug; light source replaceable by Wastberg+ or by a professional with explicit authorization; control gear replaceable by end-user;



TECHNICAL INFORMATION

Physical	
Material	Lamp Body: Aluminium
IP Rating	IP20
Safety Class	Class II

LED	
Colour Rendering Index	CRI ≥ 98
Lumen Maintenance	L85 / 50000 h
Macadam Ellipse	≤ 3 SDCM (initial MacAdam)

More technical information online

wastberg.com/en/products/winkel-base-w227b



ARTICLE-SPECIFIC INFORMATION

Mounting
Luminous Flux
Colour Temperature
Control
Voltage
Power
Weight

Colour / Finish
Raw aluminium

WINKEL BASE W227B

Table
517 lm
3000 K
Integrated dimmer switch (timer 8h)
100 - 240 V
8.8 W
4 kg

Art. No. / EAN code
227B22030 / 7330492001692