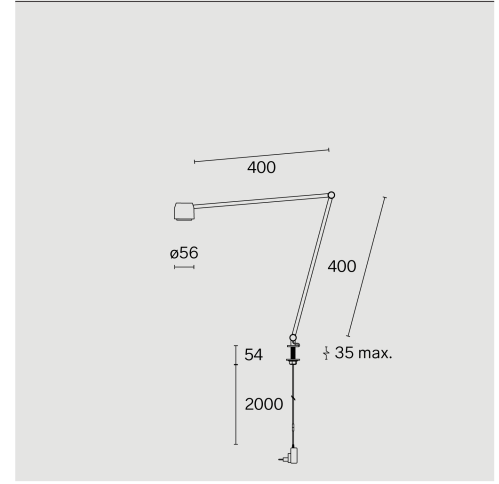
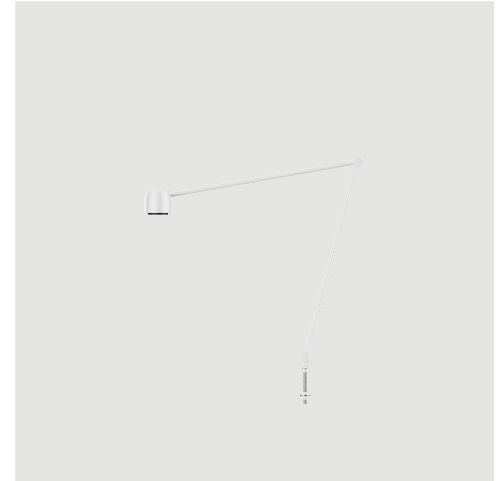


Pin mounted table luminaire made from aluminium; surface Traffic white; RAL 9016; polyamide glare shade and polycarbonate lens; with COB (Chip on Board) technology for maximum efficiency; integrated dimmer switch; light colour 3000 K;  $\leq 3$  SDCM (initial MacAdam); CRI  $\geq 98$ ; degree of protection IP20; Class 2; incl. 2000 mm white cable plug; light source replaceable by Wastberg+ or by a professional with explicit authorization; control gear replaceable by end-user;



## TECHNICAL INFORMATION

Physical	
<b>Material</b>	Lamp Body: Aluminium
<b>IP Rating</b>	IP20
<b>Safety Class</b>	Class II

LED	
<b>Colour Rendering Index</b>	CRI $\geq 98$
<b>Lumen Maintenance</b>	L80 / 50000h
<b>Macadam Ellipse</b>	$\leq 3$ SDCM (initial MacAdam)

## ARTICLE-SPECIFIC INFORMATION

<b>Mounting</b>
<b>Luminous Flux</b>
<b>Colour Temperature</b>
<b>Optic</b>
<b>Control</b>
<b>Voltage</b>
<b>Power</b>
<b>Weight</b>

<b>Colour / Finish</b>	Traffic white
------------------------	---------------

## ION PIN W225P2

<b>Table</b>
526 lm
3000 K
Wide
Integrated dimmer switch
100 - 240 V
8.3 W
0.3 kg

<b>Art. No. / EAN code</b>	225P20230W / 7330492017341
----------------------------	----------------------------

More technical information online  
[wastberg.com/en/products/ion-pin-w225p2](http://wastberg.com/en/products/ion-pin-w225p2)

