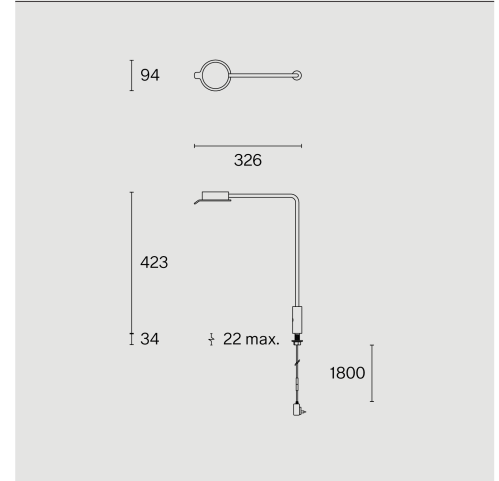
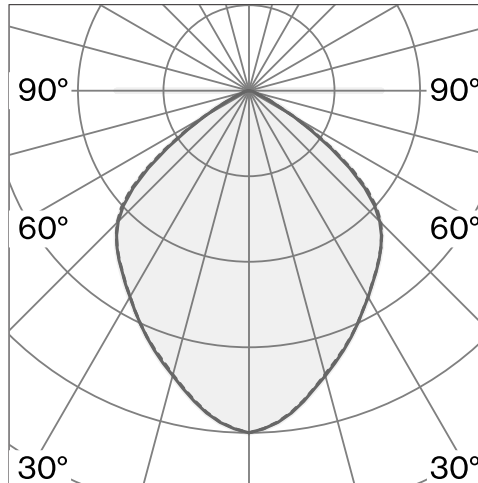


CHIPPERFIELD

PIN
W102P

Pin mounted table luminaire made from steel; surface Dark steel; ABS dimmer housing; polycarbonate diffuser and reflector; with COB (Chip on Board) technology for maximum efficiency; integrated dimmer switch; light colour 2700 K; ≤ 3 SDCM (initial MacAdam); CRI ≥ 98 ; degree of protection IP20; Class 2; incl. 1800 mm black cable plug; light source replaceable by Wastberg+ or by a professional with explicit authorization; control gear replaceable by end-user;



TECHNICAL INFORMATION

Physical	
Material	Lamp Body: Dark steel
IP Rating	IP20
Safety Class	Class II

LED	
Colour Rendering Index	CRI ≥ 98
Lumen Maintenance	L80 / 50000h
Macadam Ellipse	≤ 3 SDCM (initial MacAdam)

More technical information online

wastberg.com/en/products/chipperfield-pin-w102p



ARTICLE-SPECIFIC INFORMATION

Mounting
Luminous Flux
Colour Temperature
Control
Voltage
Power
Weight

Colour / Finish
Dark steel

CHIPPERFIELD

PIN
W102P

Table
465 lm
2700 K
Integrated dimmer switch
100 - 240 V
7.3 W
0.9 kg

Art. No. / EAN code
102P105 / 7330492008462