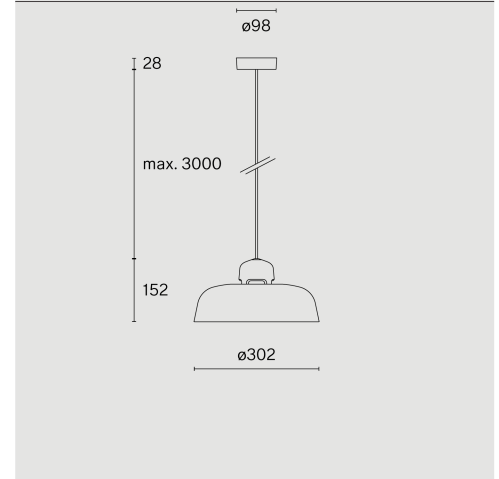
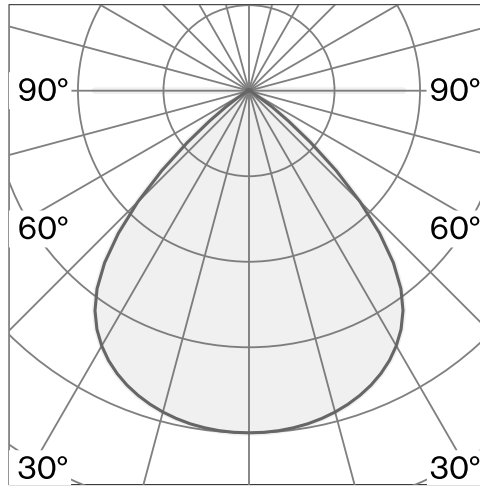
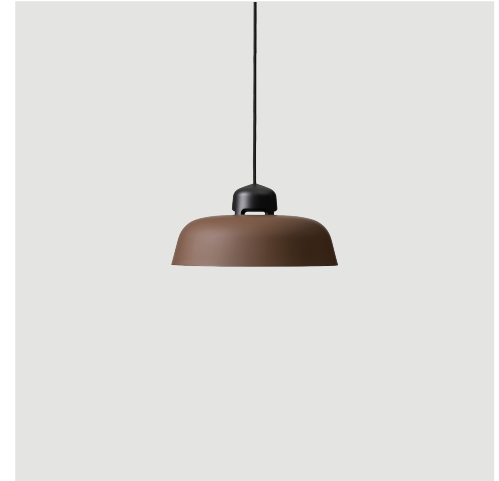




**DALSTON**  
SUSPENDED  
W162S1

Ceiling suspended luminaire with shade made from aluminium; textile cable max. 3000 mm and polyamide canopy; optical system with polycarbonate reflector and diffuser prism; surface Nut brown; RAL 8011; with COB (Chip on Board) technology for maximum efficiency; Phase-cut dim; light colour 2700 K;  $\leq 3$  SDCM (initial MacAdam); CRI  $\geq 90$ ; degree of protection IP20; Class I; driver included; light source replaceable by Wastberg+ or by a professional with explicit authorization; control gear not replaceable;



**TECHNICAL INFORMATION**

<b>Physical</b>	
<b>Material</b>	Shade: Aluminium, LED Engine: Aluminium
<b>IP Rating</b>	IP20
<b>Safety Class</b>	Class I

<b>LED</b>	
<b>Colour Rendering Index</b>	CRI $\geq 90$
<b>Lumen Maintenance</b>	L90 / 50000 h
<b>Macadam Ellipse</b>	$\leq 3$ SDCM (initial MacAdam)

**ARTICLE-SPECIFIC INFORMATION**

<b>Mounting</b>	
<b>Luminous Flux</b>	
<b>Colour Temperature</b>	
<b>Control</b>	
<b>Voltage</b>	
<b>Power</b>	
<b>Weight</b>	

<b>Colour / Finish</b>	Nut brown ●
------------------------	-------------

**DALSTON**  
SUSPENDED  
W162S1

<b>Ceiling</b>	
<b>548 lm</b>	
<b>2700 K</b>	
<b>Phase-cut dim</b>	
<b>220 - 240 V</b>	
<b>9.4 W</b>	
<b>1.2 kg</b>	

<b>Art. No. / EAN code</b>	<b>162S118011 / 7330492009155</b>
----------------------------	-----------------------------------

More technical information online

[wastberg.com/en/products/dalston-suspended-w162s1](http://wastberg.com/en/products/dalston-suspended-w162s1)

