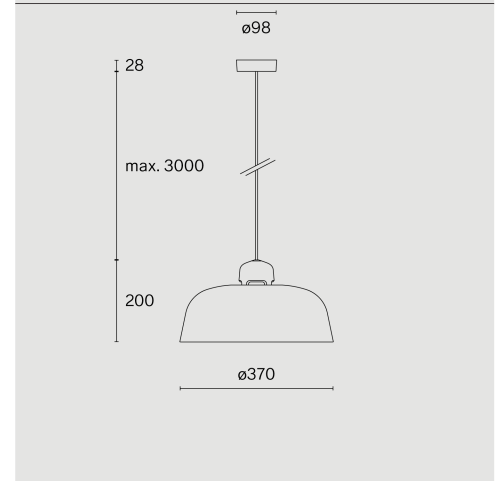
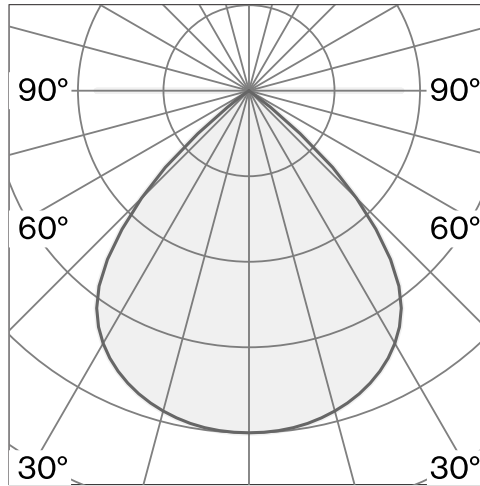




**DALSTON**  
SUSPENDED  
W162S2

Ceiling suspended luminaire with shade made from aluminium; textile cable max. 3000 mm and polyamide canopy; optical system with polycarbonate reflector and diffuser prism; surface Nut brown; RAL 8011; with COB (Chip on Board) technology for maximum efficiency; Phase-cut dim; light colour 2700 K;  $\leq 3$  SDCM (initial MacAdam); CRI  $\geq 90$ ; degree of protection IP20; Class I; driver included; light source replaceable by Wastberg+ or by a professional with explicit authorization; control gear not replaceable;



**TECHNICAL INFORMATION**

|                     |   |
|---------------------|---|
| <b>Physical</b>     |   |
| <b>Material</b>     | Shade: Aluminium, LED Engine: Aluminium |
| <b>IP Rating</b>    | IP20                                    |
| <b>Safety Class</b> | Class I                                 |

|                               |                                 |
|-------------------------------|---------------------------------|
| <b>LED</b>                    |                                 |
| <b>Colour Rendering Index</b> | CRI $\geq 90$                   |
| <b>Lumen Maintenance</b>      | L90 / 50000 h                   |
| <b>Macadam Ellipse</b>        | $\leq 3$ SDCM (initial MacAdam) |

**ARTICLE-SPECIFIC INFORMATION**

|                           |               |
|---------------------------|---------------|
| <b>Mounting</b>           | Ceiling       |
| <b>Luminous Flux</b>      | 538 lm        |
| <b>Colour Temperature</b> | 2700 K        |
| <b>Control</b>            | Phase-cut dim |
| <b>Voltage</b>            | 220 - 240 V   |
| <b>Power</b>              | 9.4 W         |
| <b>Weight</b>             | 1.6 kg        |

|                        |             |
|------------------------|-------------|
| <b>Colour / Finish</b> | Nut brown ● |
|------------------------|-------------|

**DALSTON**  
SUSPENDED  
W162S2

|                           |               |
|---------------------------|---------------|
| <b>Ceiling</b>            | Ceiling       |
| <b>Luminous Flux</b>      | 538 lm        |
| <b>Colour Temperature</b> | 2700 K        |
| <b>Control</b>            | Phase-cut dim |
| <b>Voltage</b>            | 220 - 240 V   |
| <b>Power</b>              | 9.4 W         |
| <b>Weight</b>             | 1.6 kg        |

|                            |                            |
|----------------------------|----------------------------|
| <b>Art. No. / EAN code</b> | 162S218011 / 7330492009346 |
|----------------------------|----------------------------|

More technical information online

[wastberg.com/en/products/dalston-suspended-w162s2](http://wastberg.com/en/products/dalston-suspended-w162s2)

