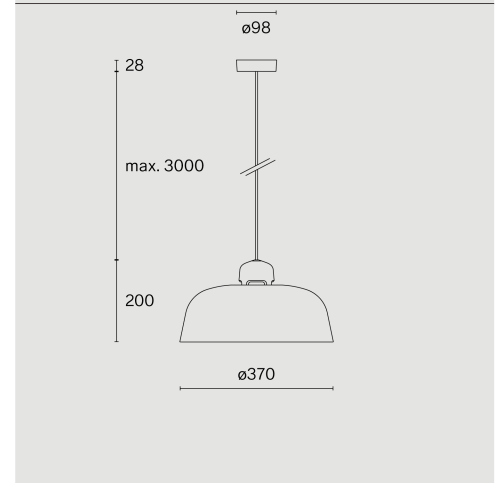
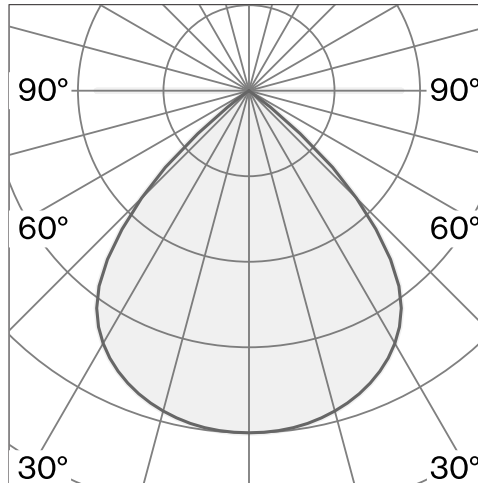




DALSTON
SUSPENDED
W162S2

Ceiling suspended luminaire with shade made from aluminium; textile cable max. 3000 mm and polyamide canopy; optical system with polycarbonate reflector and diffuser prism; surface Olive green; RAL 6003; with COB (Chip on Board) technology for maximum efficiency; Phase-cut dim; light colour 2700 K; ≤ 3 SDCM (initial MacAdam); CRI ≥ 90 ; degree of protection IP20; Class I; driver included; light source replaceable by Wastberg+ or by a professional with explicit authorization; control gear not replaceable;



TECHNICAL INFORMATION

Physical	
Material	Shade: Aluminium, LED Engine: Aluminium
IP Rating	IP20
Safety Class	Class I

LED	
Colour Rendering Index	CRI ≥ 90
Lumen Maintenance	L90 / 50000 h
Macadam Ellipse	≤ 3 SDCM (initial MacAdam)

ARTICLE-SPECIFIC INFORMATION

Mounting	Ceiling
Luminous Flux	538 lm
Colour Temperature	2700 K
Control	Phase-cut dim
Voltage	220 - 240 V
Power	9.4 W
Weight	1.6 kg

Colour / Finish	Olive green ●
------------------------	---------------

DALSTON
SUSPENDED
W162S2

Ceiling	Ceiling
Luminous Flux	538 lm
Colour Temperature	2700 K
Control	Phase-cut dim
Voltage	220 - 240 V
Power	9.4 W
Weight	1.6 kg

Art. No. / EAN code	162S216003 / 7330492009353
----------------------------	----------------------------

More technical information online

wastberg.com/en/products/dalston-suspended-w162s2

